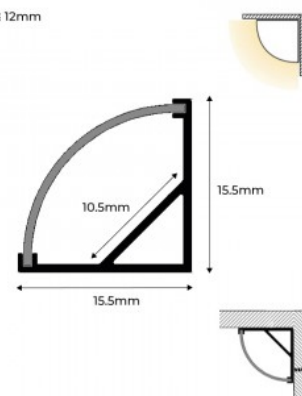


Cover for profile PXG-1616 - Black color

Ref. PXG-1616-TN

Plastic cover cap, black color, available with and without hole, for aluminum corner profile (reference: PXG-1616).**Price includes one cover**.

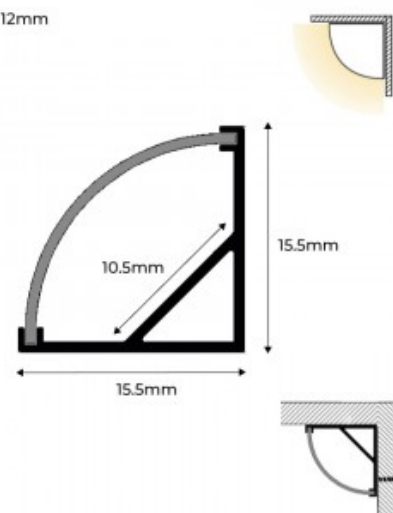
↗ LED ≤ 12mm



Product data

Material	Plastic
Certificates	CE, ROHS

↗ LED ≤ 12mm



Product variants

Reference

Attributes

PXG-1616-SA-N

Side end caps - Without Hole



PXG-1616-CA-N

Side end caps - With Hole

