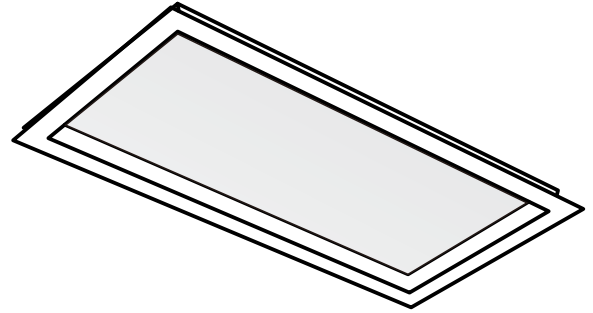


## SkyLight

(For SkyWin Series)



### BEFORE YOU BEGIN

Read these instructions completely and carefully

#### ⚠ WARNING/AVERTISSEMENT

##### RISK OF ELECTRIC SHOCK

- Turn power off before inspection, installation or removal.
- Properly ground electrical enclosure.

##### RISK OF FIRE

- Follow all NEC and local codes.
- Use only UL approved wire for input/output connections. Input wire minimum size is 18 AWG, and the output wire minimum size is 24 AWG

##### RISQUES DE DÉCHARGES ÉLECTRIQUES

- Coupez l'alimentation avant d'inspecter, installer ou déplacer le luminaire.
- Assurez-vous de correctement mettre à la terre le boîtier d'alimentation électrique.

##### RISQUES D'INCENDIE

- Respectez tous les codes NEC et codes locaux.
- N'utilisez que des fils approuvés par UL ou IEC pour les entrées/sorties de connexion. Taille minimum 18 AWG (0.75mm<sup>2</sup>).

## Prepare Electrical Wiring

Refer to **SkyPa Series LED Skylight Specification** for more lamp electrical data info.



#### Electrical Requirements

- The LED luminaire must be connected to the mains supply according to its ratings on the product label.



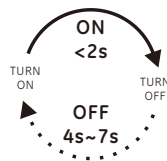
#### TUYA APP Smart Instructions (optional)

1. Download TUYA APP and register your account.
2. Find and bind the device, turn on Bluetooth and WIFI.



#### Re-pairing APP Bluetooth Connection

Turn on the light, then turn it off within 2 seconds. After off, turn it on again within 4-7 seconds. Repeat this cycle 5 times. When the light starts blinking, it will enter the re-pairing mode.



## Save These Instructions

Use only in the manner intended by the manufacturer. If you have any questions, contact the manufacturer.

#### ⚠ CAUTION

Do not perforate the integrity of the luminaire. Only screw into the threaded mounting bracket holes located at the four corners of the fixture.

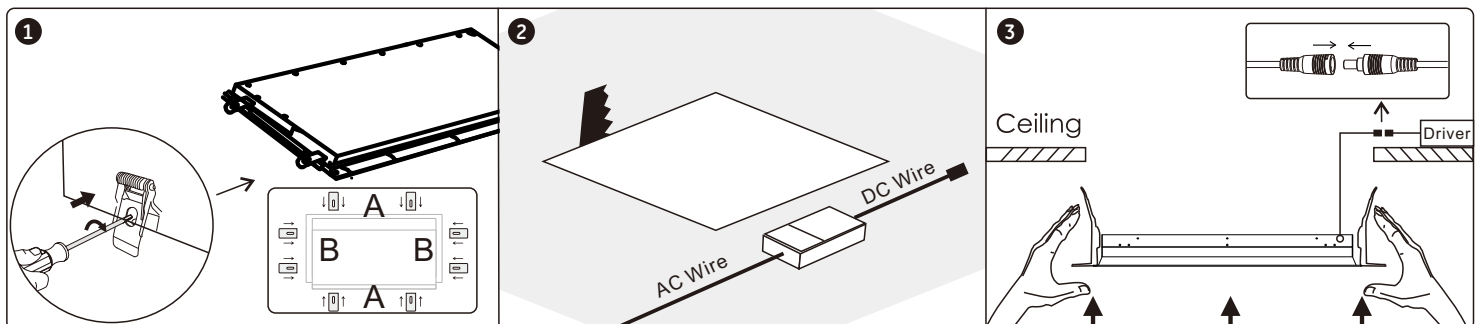
#### ⚠ WARNING/AVERTISSEMENT

**Risk of Fire.** Do not install insulation within 3 inches (76 mm) of luminaire top.  
**Risques d'incendie.** Ne pas installer d'isolation à moins de 76 mm (3 pouces) au-dessus du luminaire.

#### Storage Info

Environmental Operating Temperature Range	-10°C to +40°C
Environmental Rating	Dry or damp location rated
Environmental Storage Temperature Range	-40°C to +60°C

## Recessed Plasterboard Cut Hole Ceiling Installation

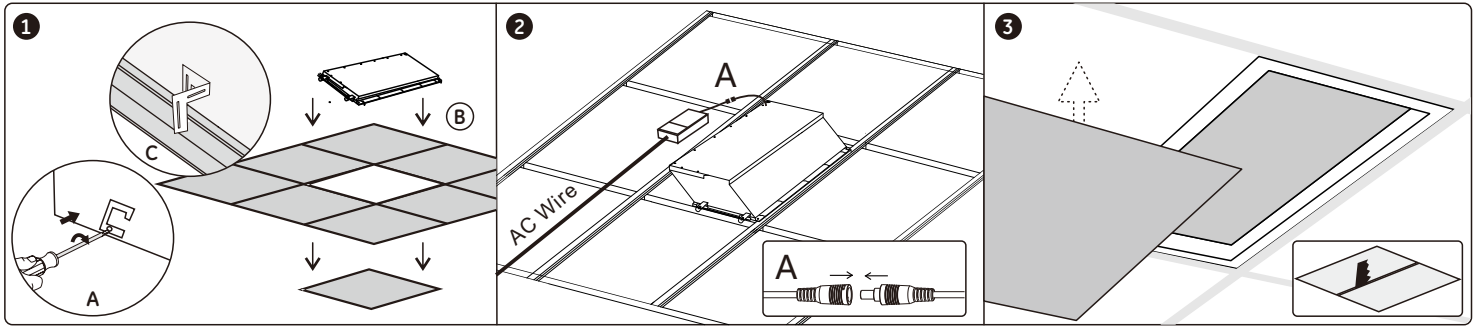


Screw the springs to lamp.  
3060: 4clips side B. 6060/30120: 8clips side A.  
if install clips to side B, Unscrew T-BAR clips first.

Cut a square hole in the ceiling 10mm smaller than the LED Panel. Connect the LED Driver to AC mains.

Connect the DC connector from driver to panel. Push the Light into the ceiling with the springs raised. Requires 3 or more people to install.

## Grid Ceiling Installation

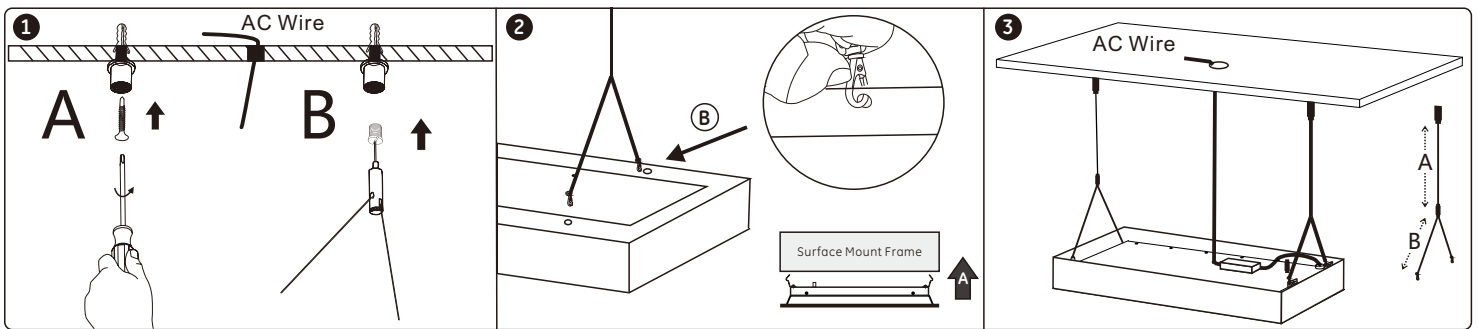


A: Screw the 2 pcs T-BAR clips to lamp.  
 B: Remove the ceiling grid panel. Put the SkyLight into ceiling grid.  
 C: Check the clips well fasten to T-BAR.

Connect the LED Driver to AC mains power.  
 Connect the DC connector from driver to panel.

If it is a 3060 size, then cut half of the 6060 plasterboard board and put it into the ceiling.

## Wire Suspended Installation(optional)

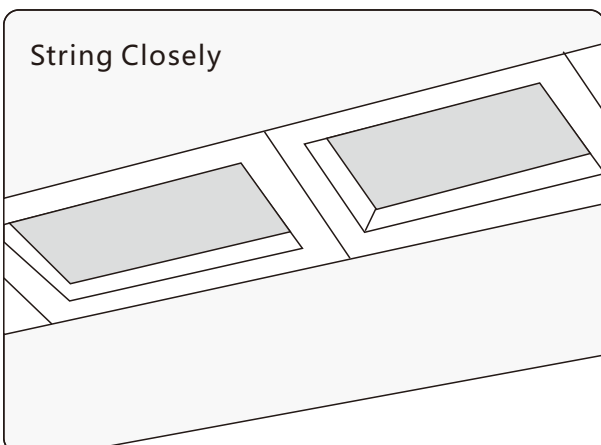
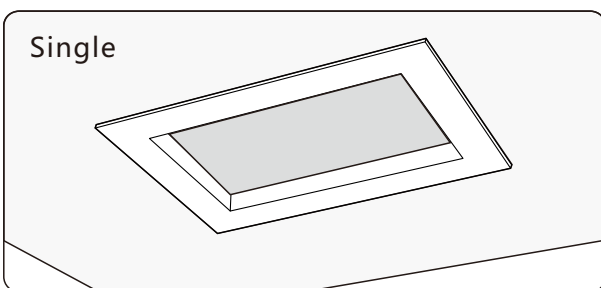


Insert the wall plugs into the ceiling and Screw the suspension cable to the ceiling fixing. Pull out the wire.

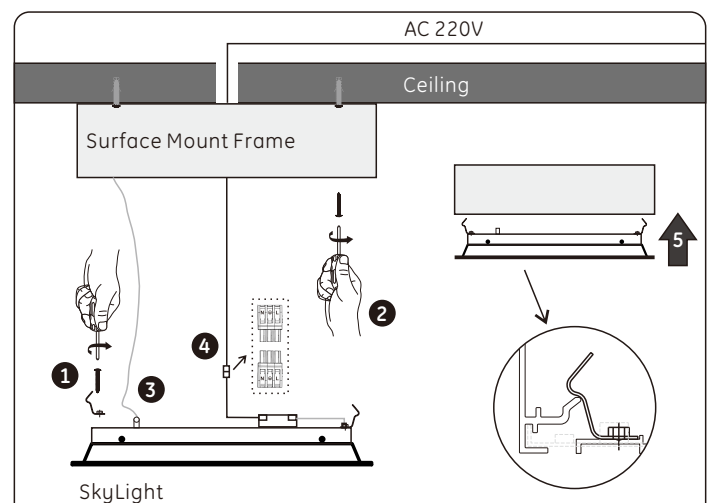
A: Push the lamp to lock to surface mount frame.  
 B: Lock the suspension cable clips to hole of frame.

Adjust the "A" "B" cable length to keep balance and height requirements. Connect the AC mains power and dim cable.

## Installation Plan



## Surface Installation(optional)



1. Screw the clips to lamp.
2. Screw the surface Frame to the ceiling.
3. lock the safety cable to lamp.
4. connect the AC wire.
5. Push the lamp to lock to surface mount frame.