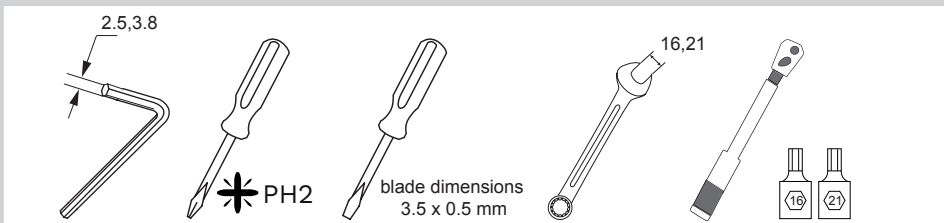
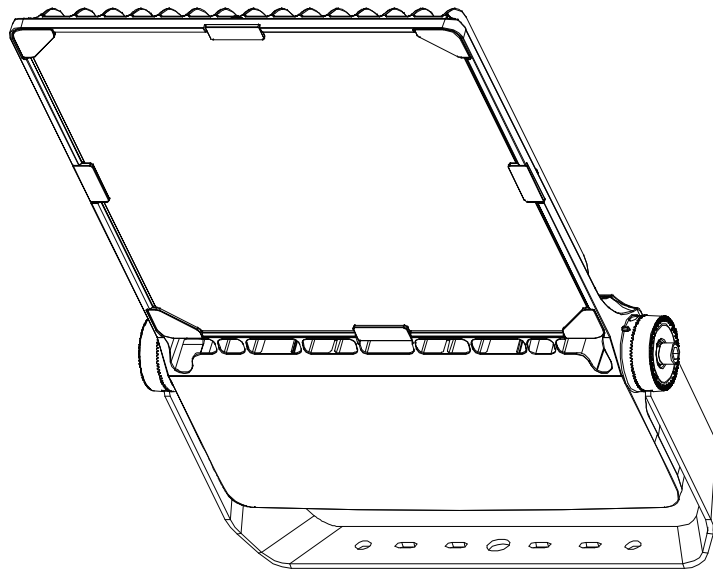
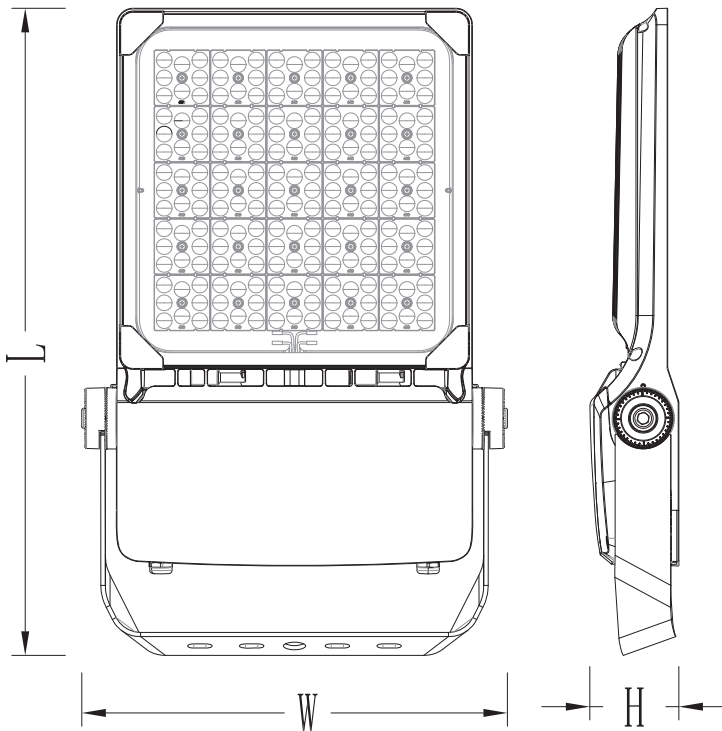


# BFL23-600W user manual

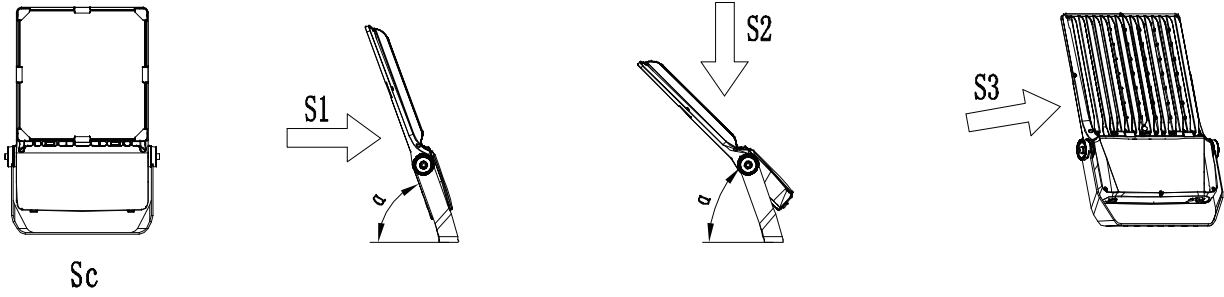


## A - PRODUCT OVERVIEW



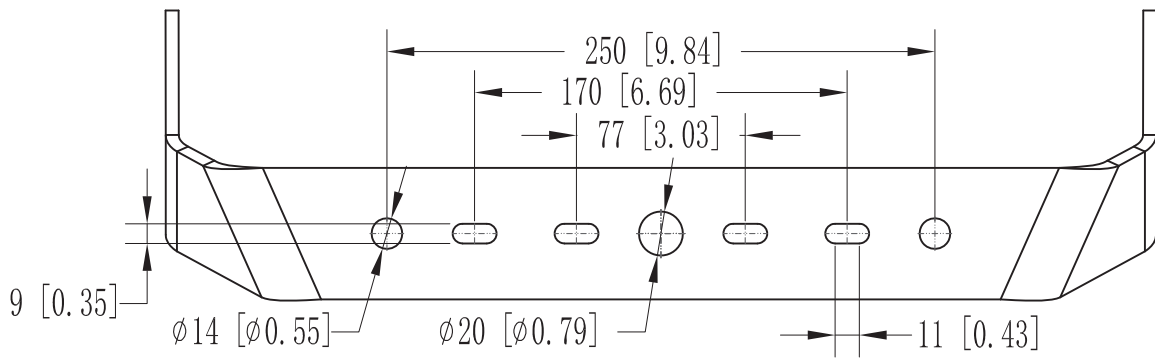
Model NO.	Dimnsion(mm)			Weight (kg)
	L	W	H	
BFL23-600W	730	420	80	13

## EPA - Effective Projected Area

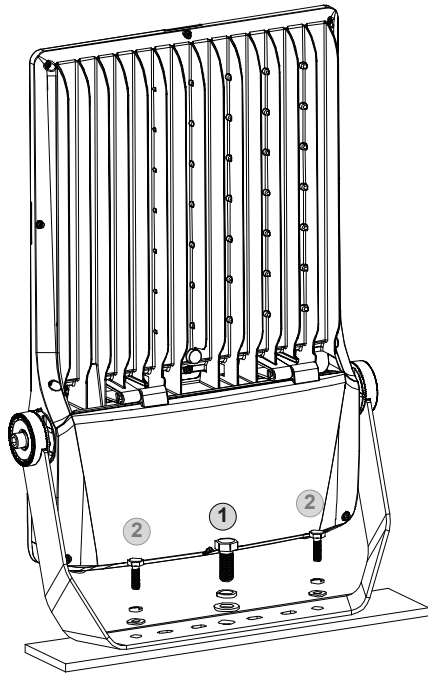
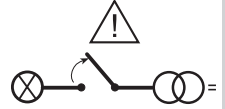


Model NO	$\alpha$	$\alpha=0^\circ$			$\alpha=30^\circ$			$\alpha=45^\circ$			$\alpha=60^\circ$			$\alpha=90^\circ$		
		S(m <sup>2</sup> )	EPA(ft <sup>2</sup> )	C*S(m <sup>2</sup> )	S(m <sup>2</sup> )	EPA(ft <sup>2</sup> )	C*S(m <sup>2</sup> )	S(m <sup>2</sup> )	EPA(ft <sup>2</sup> )	C*S(m <sup>2</sup> )	S(m <sup>2</sup> )	EPA(ft <sup>2</sup> )	C*S(m <sup>2</sup> )	S(m <sup>2</sup> )	EPA(ft <sup>2</sup> )	C*S(m <sup>2</sup> )
BFL23-600W	S1	0.04	0.52	0.05	0.14	1.76	0.16	0.19	2.5	0.23	0.24	3.05	0.28	0.27	3.53	0.33
	S2	0.27	3.53	0.33	0.24	3.05	0.28	0.19	2.5	0.23	0.14	1.76	0.16	0.03	0.43	0.04
	S3	0.05	0.67	0.06	0.05	0.67	0.06	0.05	0.67	0.06	0.05	0.67	0.06	0.05	0.67	0.06

## Mounting dimensions



## B - MOUNTING

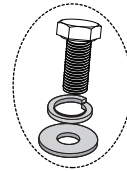


**Screws and washers are not included in the package!**

### Minimum screw requirement:

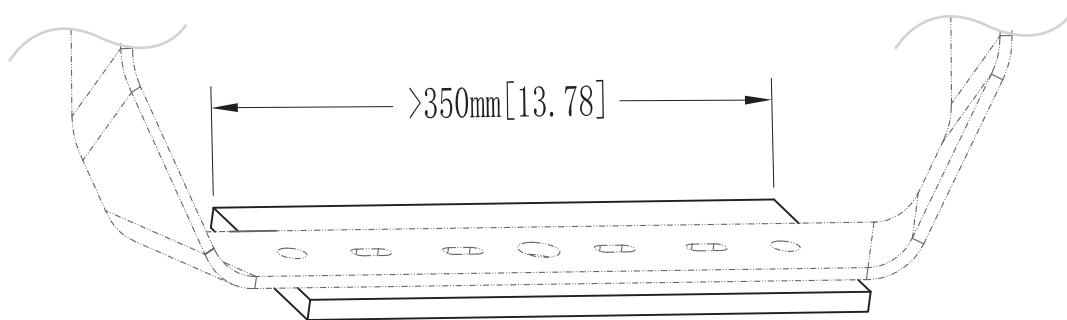
<b>Vibration standard</b>	IEC 1.5g
<b>Minimum fastener requirement</b>	1x M14 8.8 or A2-70 DIN9021 large plain washer
<b>Tightening torques</b>	1xM14: 140 Nm 2xM10: 60 Nm

**Recommended to use anti-seizing agent (Tikal Tef-Gel®) !**



- ① 1xM14 with extra large washer  
or
- ② 2xM10 with extra large washer

### Minimum Surface Contact Area for screw fixation



**Fasteners are not included in the package!**



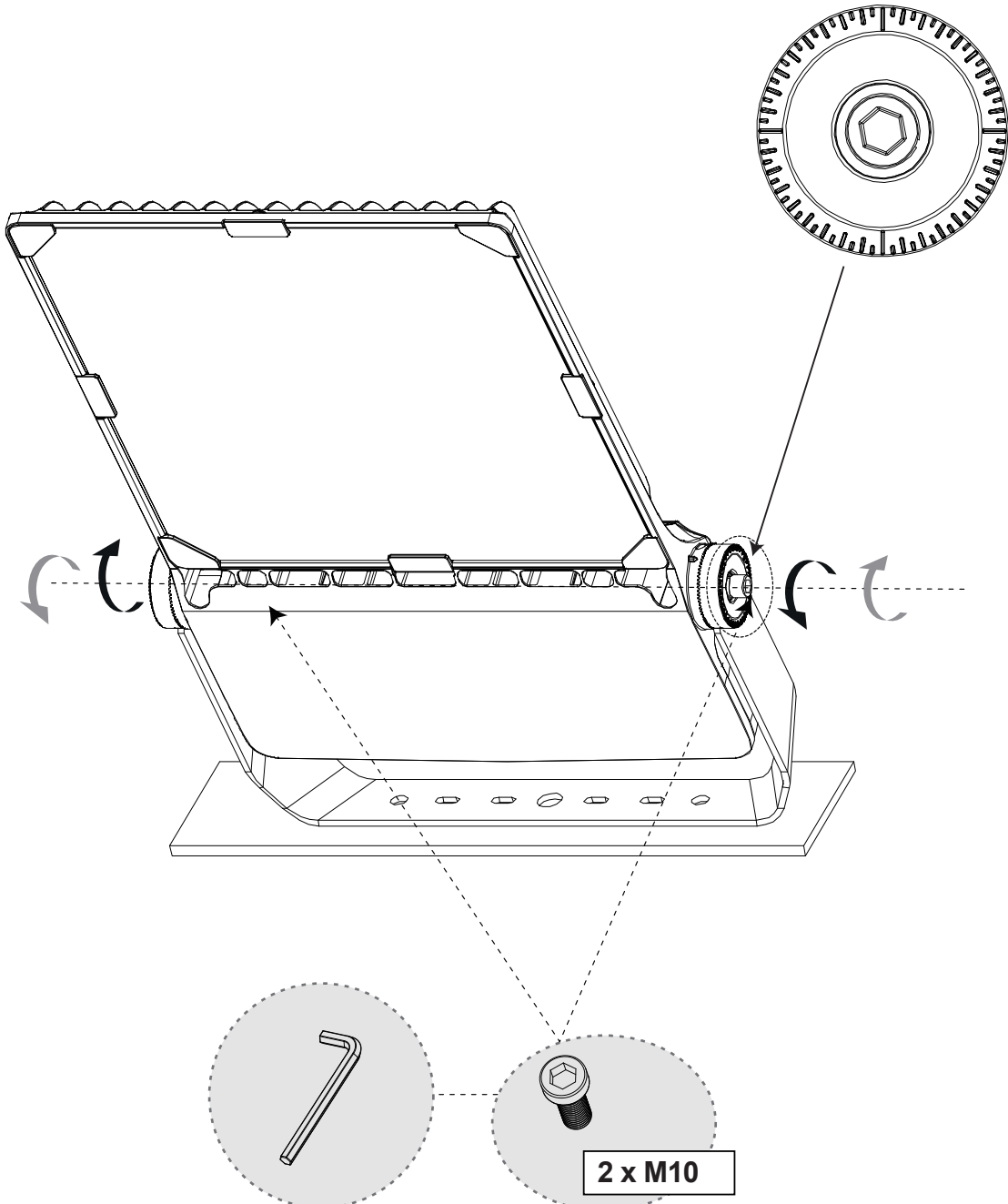
**Remark:** the hatched area always need to be supported by a flat planar mounting surface as minimum.

**Wider surface contact is recommended, smaller is not allowed!**

## C - ANGLE ADJUSTMENT

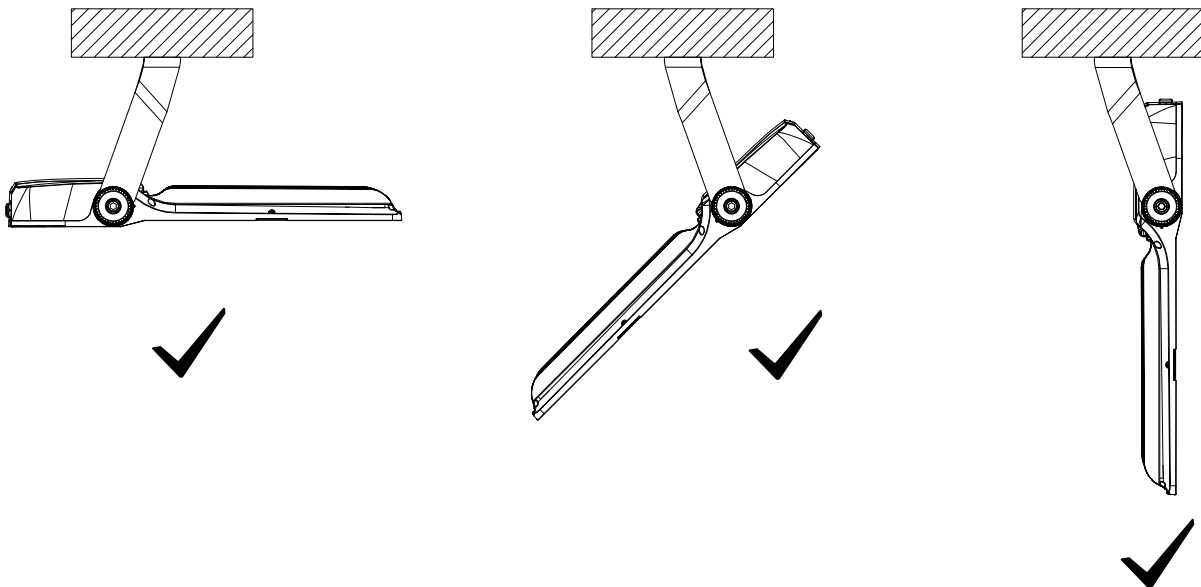
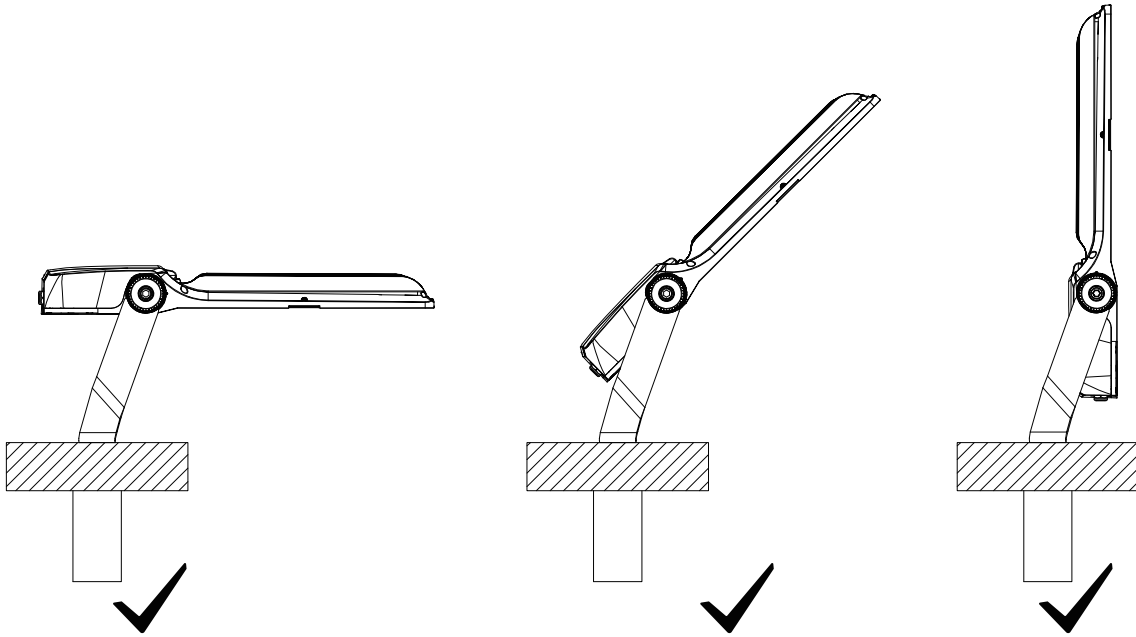
Loosen M10 hexagon head screw with wrench, adjust luminaire to designed angle (0-180°), tighten screws and fix the luminaire.  
(M10 screw Torque Values 60 N.m).

Independent scale, easy to adjust the lamp Angle

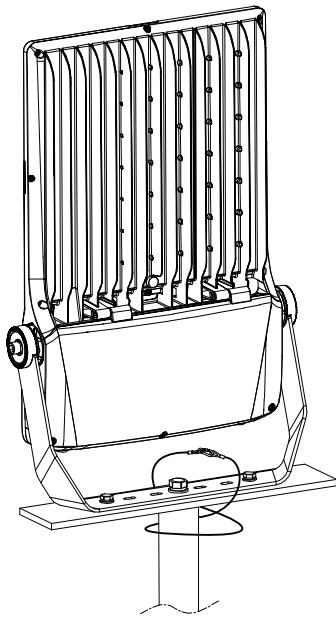


## D - ALLOWED POSITIONING

A variety of installation methods are available, including formal installation and lifting installation.



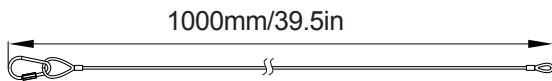
## E - SAFETY CABLE



### ! NOTICE !

1. No sharp edges on the interface (bracket or hole) of mounting side.
2. The safety chain must be replaced immediately if any of the below scenarios occur:
  - a. The safety chain was stretched at any time due to luminaire falling;
  - b. Part of steel wire is broken or frayed;
  - c. The safety chain is designed to protect the luminaire from falling, but the luminaire should not be suspended for a long time.

Steel safety cable should pass through the holes shown in the drawing in sequence. Then connect the two ends with the lock buckle and tighten the lock bolt by hand.

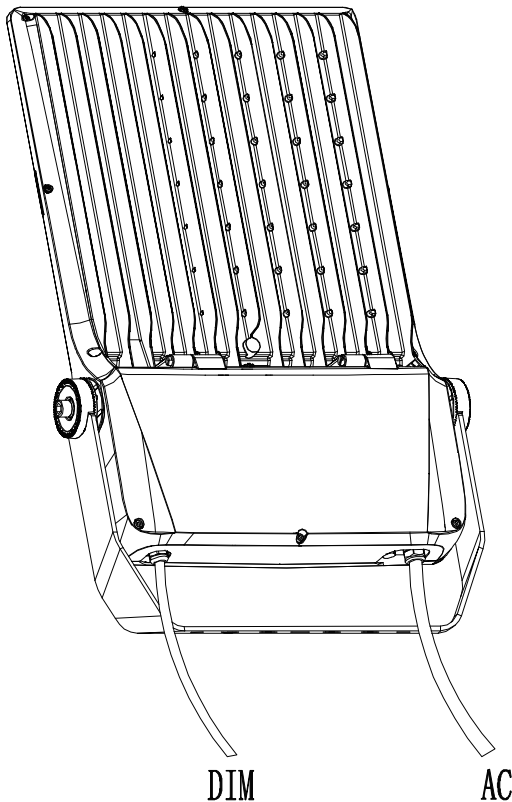


! 1000mm/39.5in safety cable is supplied with the luminaire.

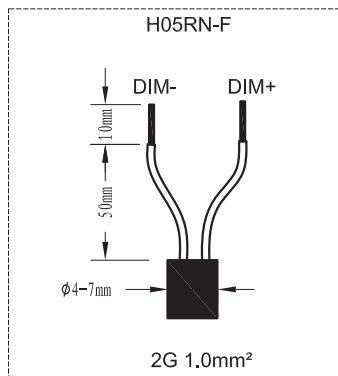
**For installations over 3m height:** secondary safety system application is mandatory, which is appropriated for the luminaire load (e.g. safety cable)

## F - ELECTRICAL CONNECTION

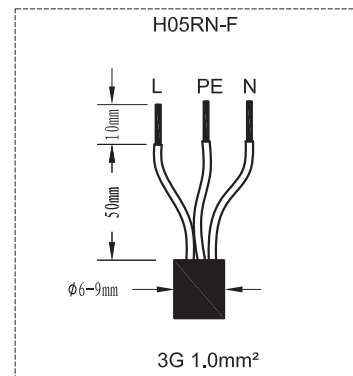
### Cable types and cable colour



Interface to 1-10V/DALI control	
Connector ID	Colour
DIM+/DALI1	Brown
DIM-/DALI2	Blue

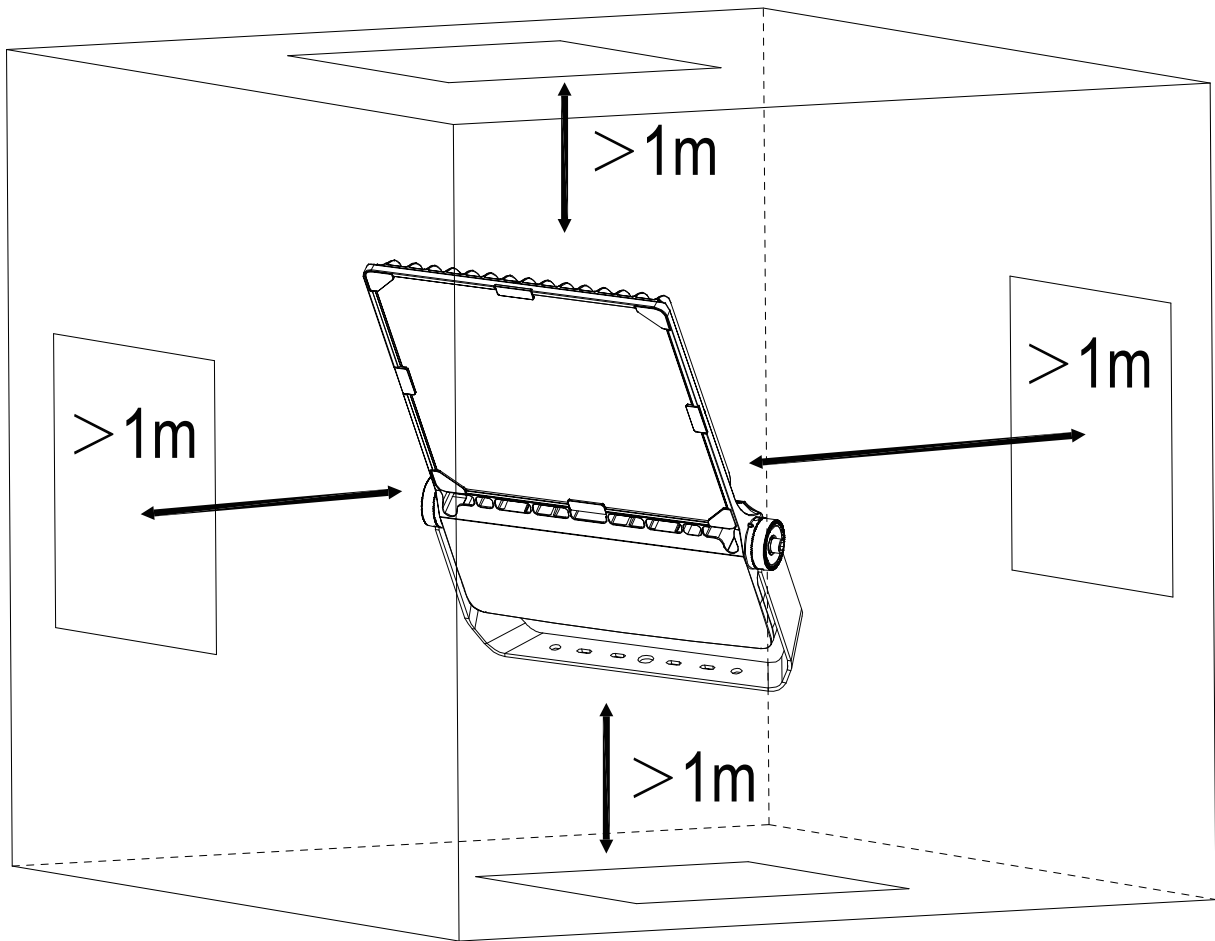


Interface to Power cable	
Connector ID	Colour
L	Brown
N	Blue
PEN	Yellow/Green



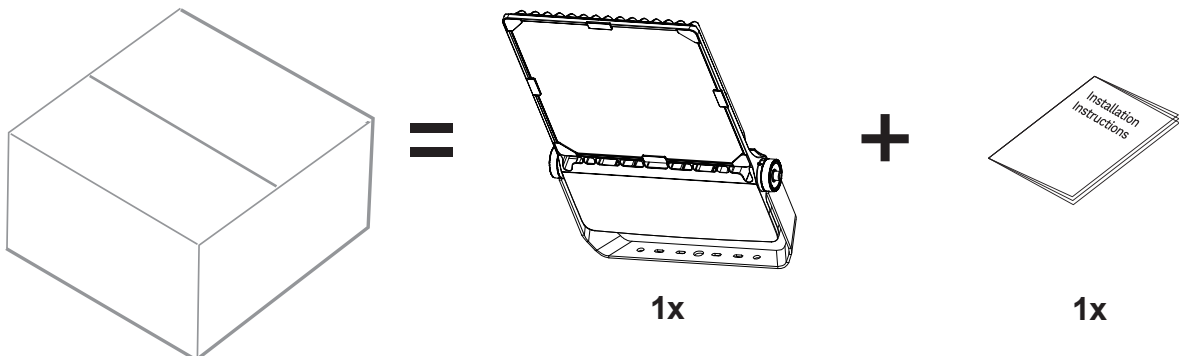
## G - RECOMMENDATIONS

### Surrounding distances



At least 1 meter distance should be kept from surrounding walls, floor, and ceiling for all types of mounting/inclination.

## J - PACKING LIST



## Warning

1. The luminaire shall be installed by a qualified electrician and wired in accordance with the latest IEEE electrical regulations or the national requirements.
2. Switch off main power supply before Installation, maintenance and any operation.
3. The light source contained in this luminaire shall only be replaced by the manufacturer or his service agent or a similar qualified person.
4. This luminaire is Y attachment. if the external flexible cable or cord of this luminaire is damaged, it shall be exclusively replaced by the manufacturer or his service agent or a similar qualified person in order to avoid a hazard.
5. Use IP66 grade connection devices with cable clamp to ensure a complete IP66 system.
6. Refer to technical datasheet for additional electrical properties to ensure installation safely.
7. Ensure power supply cables (L-N / L-N-E) are connected correctly before switching on.
8. The insulation between LV and control circuit is basic insulation.
9. This product is not suitable for corrosive environment, such as areas less than 1 km from the coast, port crane, sea-crossing bridge, island.
10. The luminaire should be positioned so that prolonged staring into the luminaire at a distance closer than 21 m is not expected.
11. Earthing contact to customer end on luminaire must be connected by installer, including whole use process that the earthing contact is always reliably linked to earth ground.
12. The luminaire should avoid storage and usage in such a surroundings or an occasion that is with corrosion or hazardous gases like sulfide, halide, phthalate and so on.
13. The PC material cannot be used in such an ambience that is with ethylamine, tetra-dichloroethylene, which is corrosion or hazardous to PC material and so on.
14. All materials used in luminaire must be compliance to RoHS as below table.
15. The Luminaire should never be used in submerged wet conditions e.g, under water, soil, snow etc.
16. The wiring connection should also never be used in submerged wet conditions e.g. water, soil, snow etc. OR must use IP68 junction box.
17. The warranty is void, in case any of the instructions / guidelines are not followed as per given mounting instruction.
18. This product is not supplied with any junction box / connector.
19. This product contains a light source of energy efficiency class: see table or label.
20. For further clarification, please contact the manufacturer.

## Maintenance

1. Periodic clearing of the luminaires' optical lens covers will ensure maximum optical efficiency.
2. Luminaire optical lens cover shall be cleaned with clean water, non-abrasive soap, cleaner and detergent solution. Acid solution or alkali solution cannot be used as a cleaning solution to wash outside surface of luminaire.

## Caution

1. Luminaire must be used within the applicable product specification of installation instruction and environmental conditions for storage and operation according to application guidelines provided for valid product warranty.
2. The information presented in this document does not form part of any quotation or contract, is believed to be accurate and reliable and may be changed without notice.