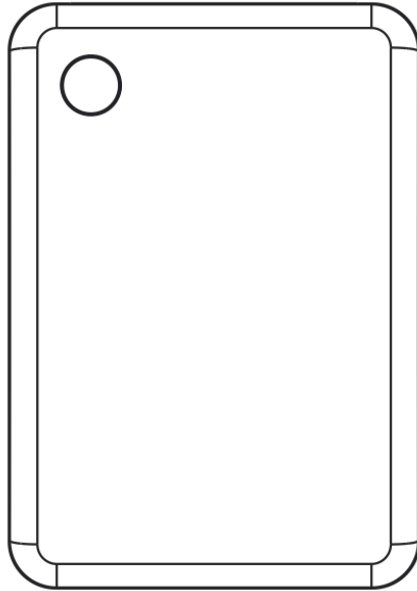


# LIGHT-CONTROL



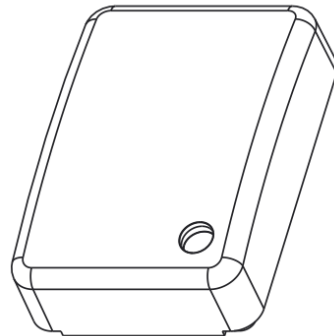
## Manual

### Welcome to use photocell sensor!

The product can turn on or turn off light by automatically according to ambient-light. Ambient-temperature and humidity can't affect it. It is not only convenient but also practical; it can control the load working only at night. For instance road light, garden light etc.

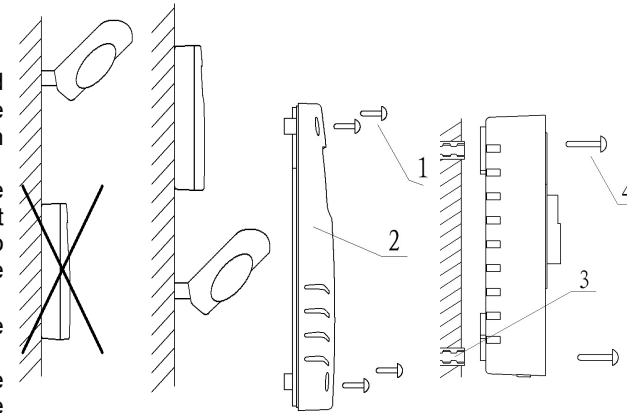
### SPECIFICATION

Power source: 220V – 240V/AC  
 Power Frequency: 50Hz  
 Rated Current: 15A  
 Ambient Light: <10-100LUX.ON  
 >40-250LUX .OFF (adjustable)  
 Working Temperature: -20~+45°C  
 Working Humidity: <93%RH

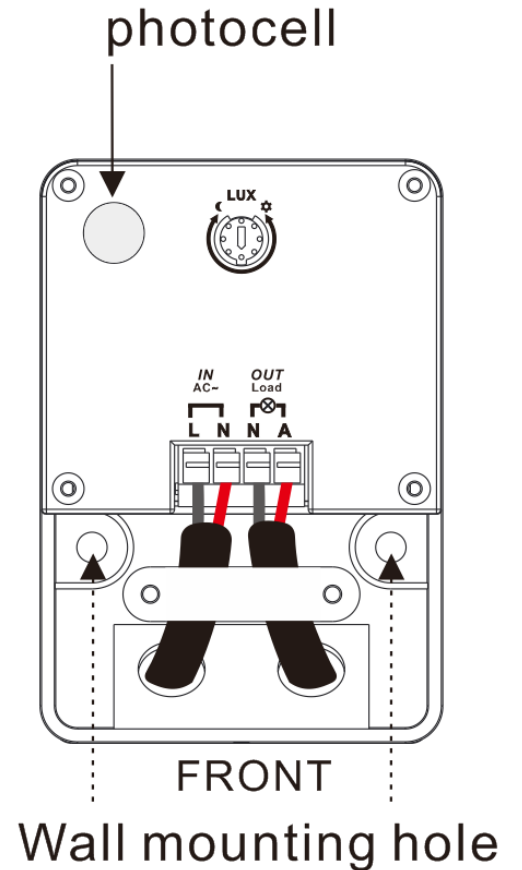


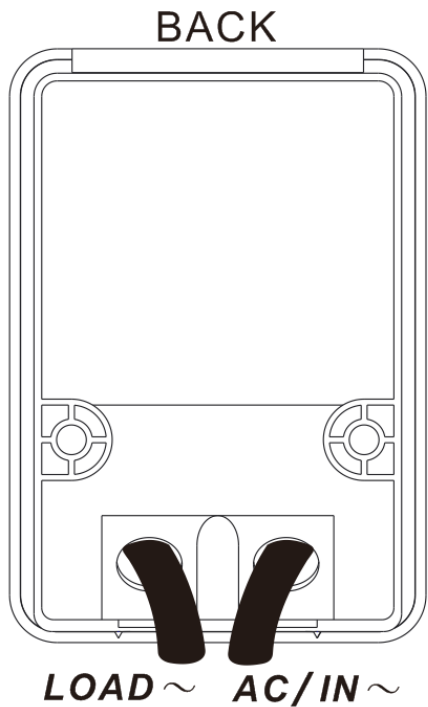
### INSTALLATION(see the figures)

- > Switch off the power.
  - > Moving the screws in the items and cover, Mount the bottom case on the wall and connect the cable as shown in connection-wire figure.
  - > Please install the item with the correct direction (see figure A) what shows in the cover and according to the correct installation place with the enclosed inflated screws.
- INCORRECT    CORRECT    Figure A
- > Please install the item with the Screwing the cover. Switch on the power and test it.



### CONNECTION-WIRE FIGURE





**TEST**

- Switch on the power.
- Please prepare a opaque (such as towel) when you testing in daytime.
- When the towel covers the detection window of the photocell, the ambient light of the items will be dark, it makes lamp on.
- When take off the towel, it makes lamp off by automatically.

**NOTE**

- In front of the photocell, it should be no obstruction effecting to accept natural light.
- In front of the photocell, it should be no swaying object.
- Don't install the photocell under of light or the place where the light will be irradiated to the photocell.
- When lamp is on and the intensity of another light source reaches the light off LUX value, and this light lasts for more than one minute, the lamp will switch off,

