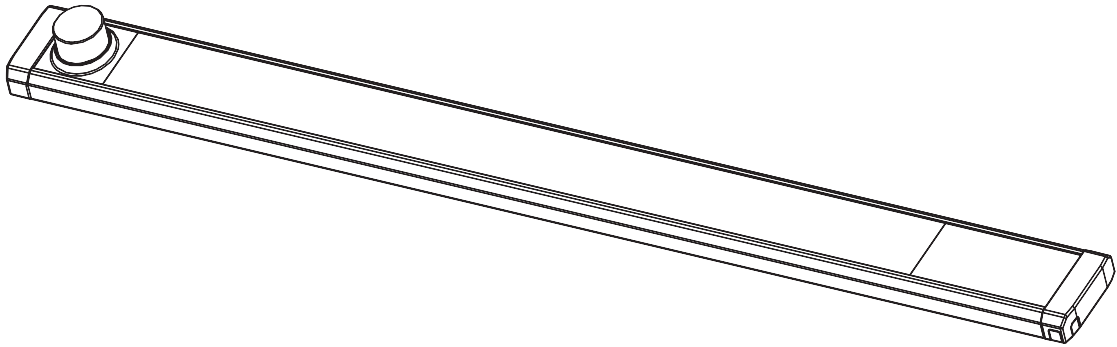


LE222-60-N-CCT/LE222-60-P-CCT

Overall photos:

NO.A4



Applications:



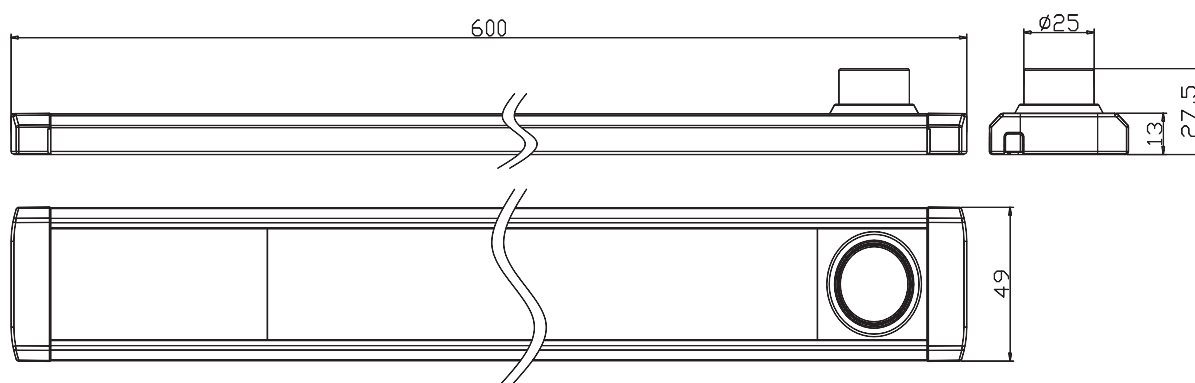
LED show case lighting; LED under counter lighting; LED display case lighting; LED retail product Lighting; LED Furniture Lighting; LED bookcase lighting; LED wardrobe lighting; LED under cabinet lighting; LED kitchen cabinet lighting; LED cove lighting; LED accent lighting; LED task lighting etc.

Product Specifications	
Material	PC,AL6063
Parts	Mounting hardware, Screws
Dimensions	49mm (W) x 27.5mm (H) x600mm(L)
Light Source:	High brightness SMD2835 LED
Operating Temperature:	-20°C to 45°C - Indoors
Warranty:	2 years with proper installation
Installation:	2pcs M3.5 screws allows easy installation
Ingress Protection Grade:	IP20

Technical Operating data:

Technical - Electrical Data	LE222-60-N-CCT LE222-60-P-CCT
Rated wattage	8W
Rated lamp efficacy	70lm/W
Rated Current	0.1A
Rated voltage	220-240VAC
Led quantity	35+35pcs
Luminous Flux	560lm
Color Temp	3000~6500k
Angle	112°
Lifespan	25000H

Product size:

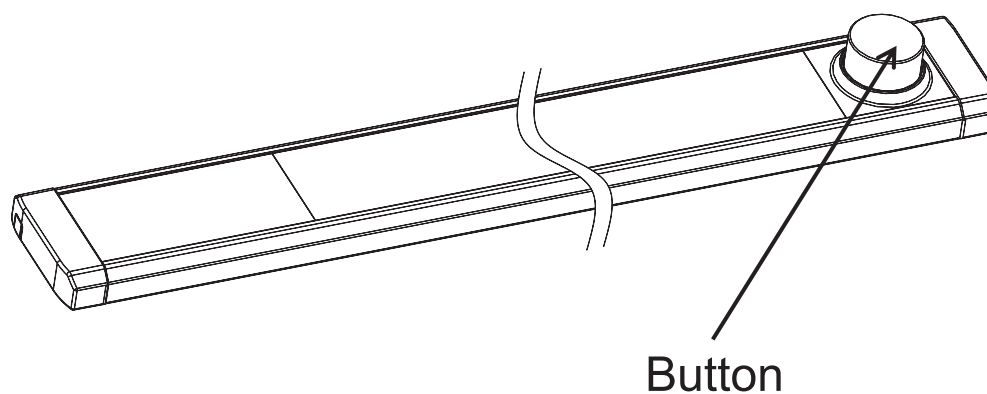


Note: The tiny space between end caps and diffuser is caused by Physical feature (Expand when heated and contract when cooled), Viz:

the space will $\leq 0.5\text{mm}$ if the total length of fixture is less than 500mm;

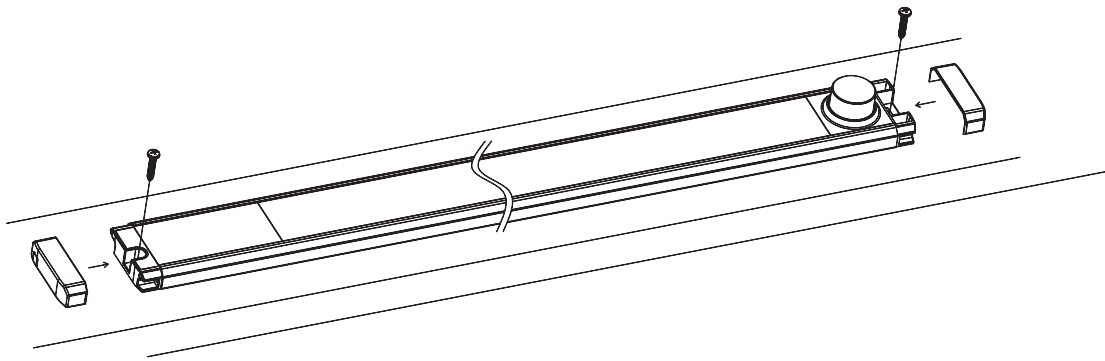
the space will $\leq 1.0\text{mm}$ if the total length of fixture is over 500mm.

Intelligent function: Switch、Change CCT、Dimmer、Memory function.

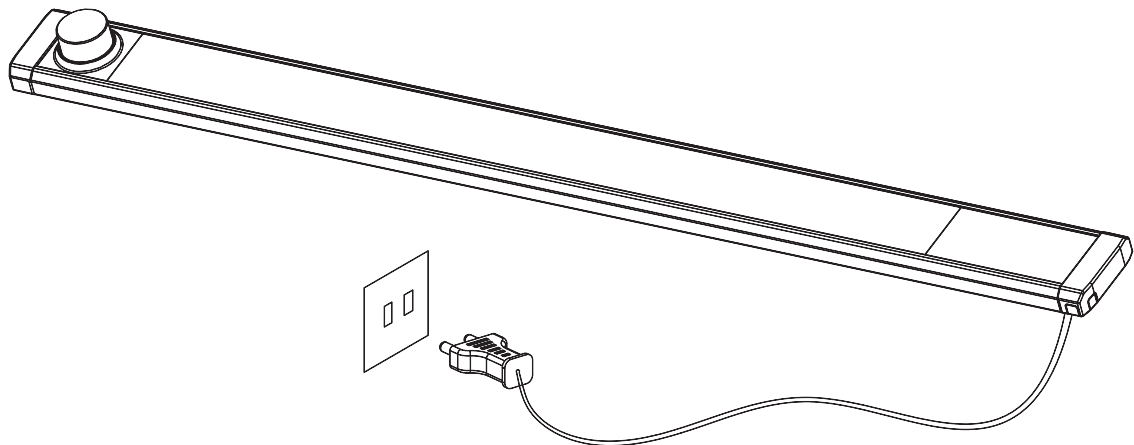


1. The light won't turned on automatically when power supplied.
2. 1st press the button to turn light on, and CCT change mode,
Rotate toward "Clockwise" to increase Kelvin; rotate toward "Anti-clockwise" to decrease Kelvin,
3. Press the button again and change to dimming mode,
Rotate toward "Clockwise" to increase lumens, rotate toward "Anti-clockwise" to decrease lumens.
4. Press the button and hold to turn light off.
5. When the light is restarted or after power failure, the CCT and lumens will be kept same as before.

Installation information :



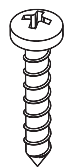
Complete set connection guide:



**The length of the European plug line is 1.4 m.*

**Connect indoor voltage: 220~240VAC.*

Accessories:



Screw