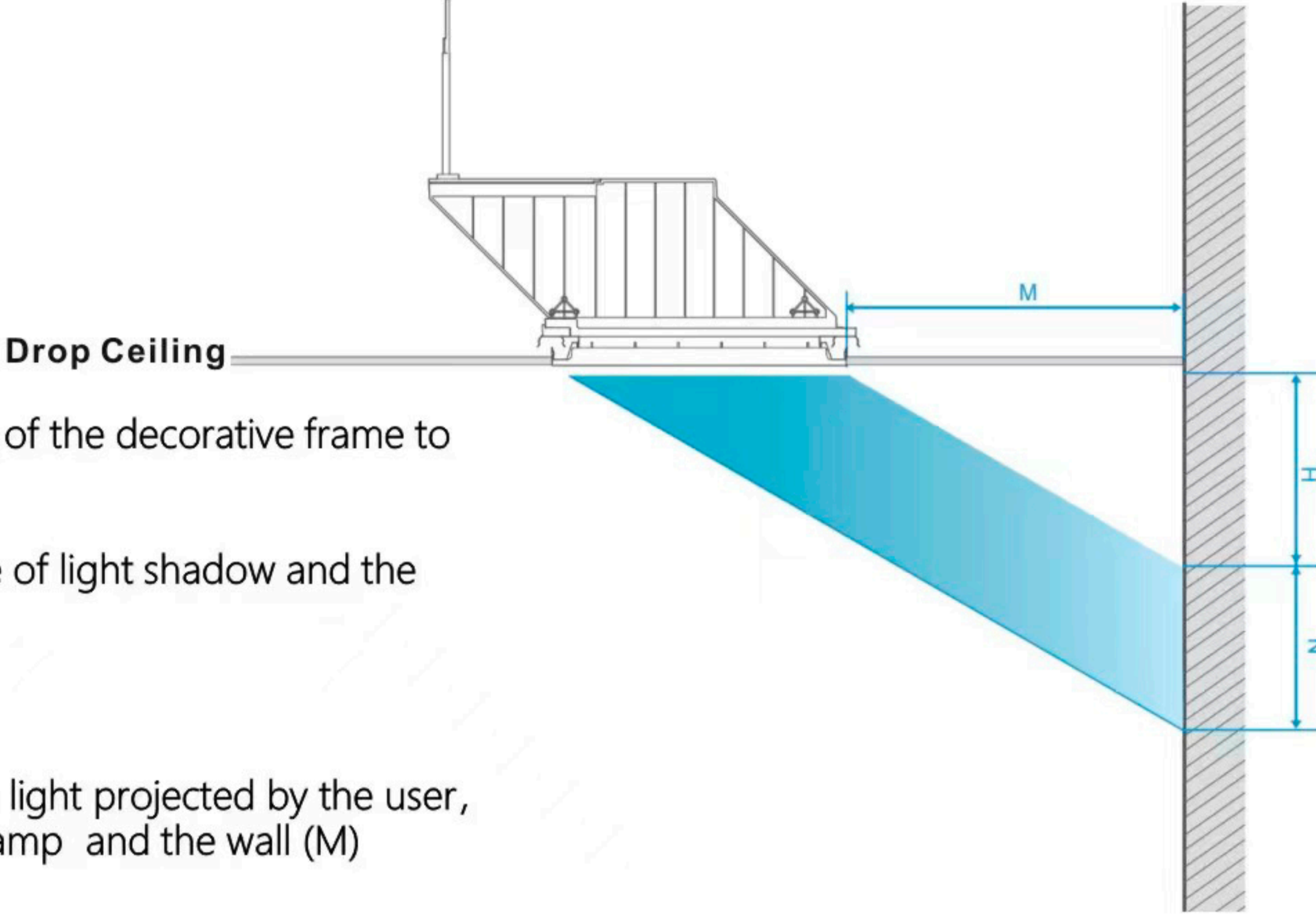
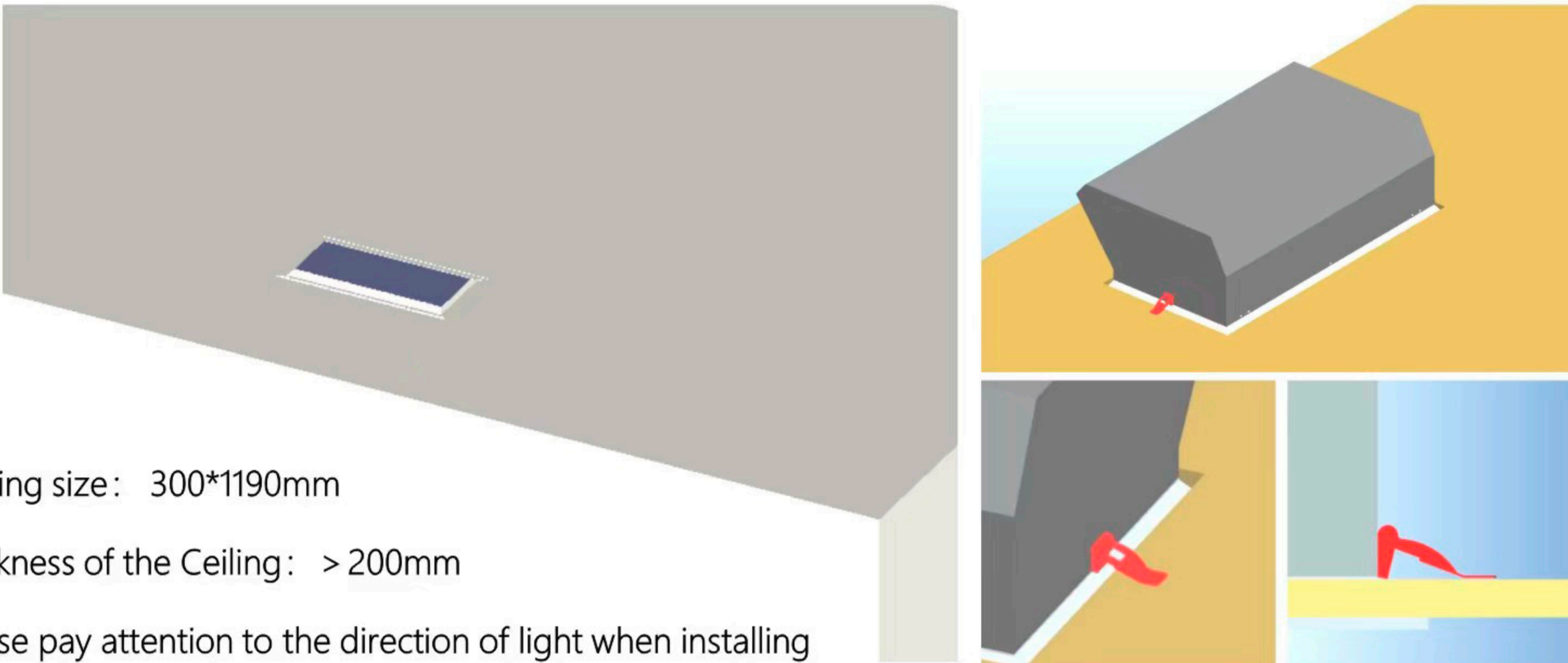


Product installation instructions

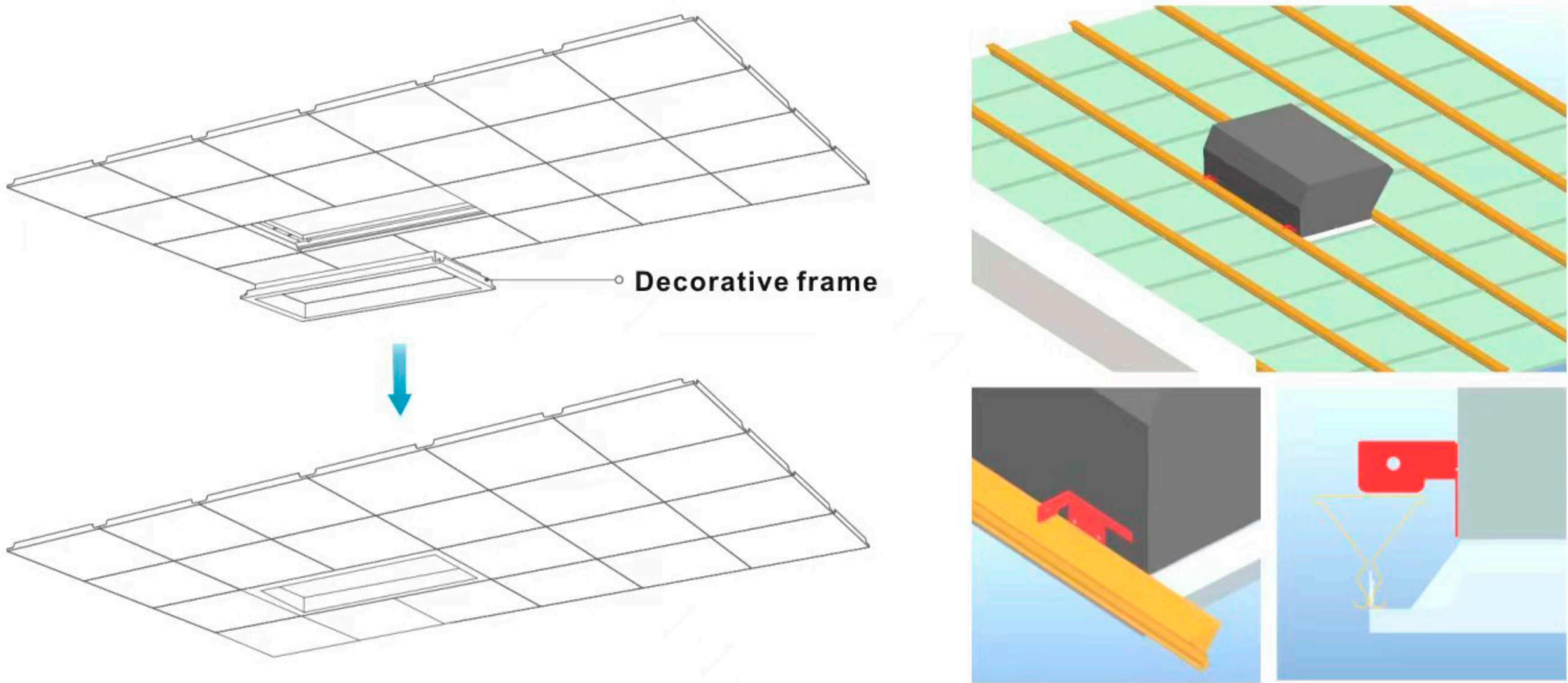
Installation location and Light Direction said

- 
- The distance from the outer edge of the decorative frame to the wall
 - The distance between upper edge of light shadow and the ceiling
 - Light shadow area
 - According to the height (H) of the light projected by the user, Adjust the distance between the lamp and the wall (M)
 - Ratio: $M = 1.7H$

Installation instructions for perforated ceiling

- 
- Cutting size: 300*1190mm
 - Thickness of the Ceiling: > 200mm
 - Please pay attention to the direction of light when installing

Installation instructions for integrated ceiling installation

- 
- (1) According to the keel width of the aluminum gusset ceiling, select the appropriate size of "keel buckle", and install the "keel buckle" to the bottom of the lamp body through screws.
 - (2) Install the lamp body to the ceiling keel of the aluminum gusset plate through the "keel buckle", and switch on the power supply. (* Please pay attention to the direction of light when installing)
 - (3) Buckle the "decorative frame" upside down into the keel slot, tear off the protective film, and complete installation.

- Safety Precautions
- The sky lamp can be restored to factory Settings
- Use the switch to continuously turn on & off the light for 8 times (2 seconds for each turn)/ use the switch technology (such as wall switch) to press the switch for 8 times in the intelligent self-rebound mode, and the equipment will have breathing effect.
- After breathing for 5 seconds, the lamp will automatically restart, indicating that the equipment has been restored to the factory setting state.

- Safety Precautions
- 1. Before use, please confirm whether the voltage is in line with the working voltage of the product. Improper use of voltage may damage the product and bring security risks;
- 2. The light source of the lamp is a non-user replacement light source, which needs to be replaced by professionals;
- 3. Ensure that the power is off when installing, removing or checking the lamp;
- 4. The lamp will generate heat in the work, please keep the surrounding air convection, for the heat come out;
- 5. Method of connection in which replacement of cord or cord can only be made by the manufacturer, its agent or similarly qualified person.
- Note: lamps should not be covered with insulation material.