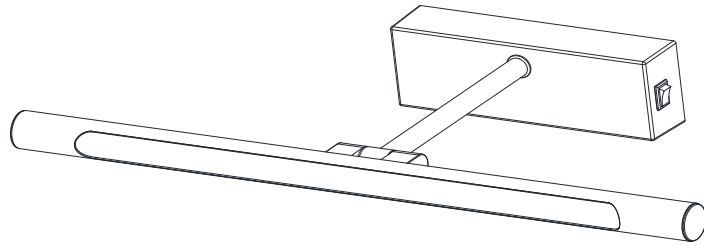


LE308-400

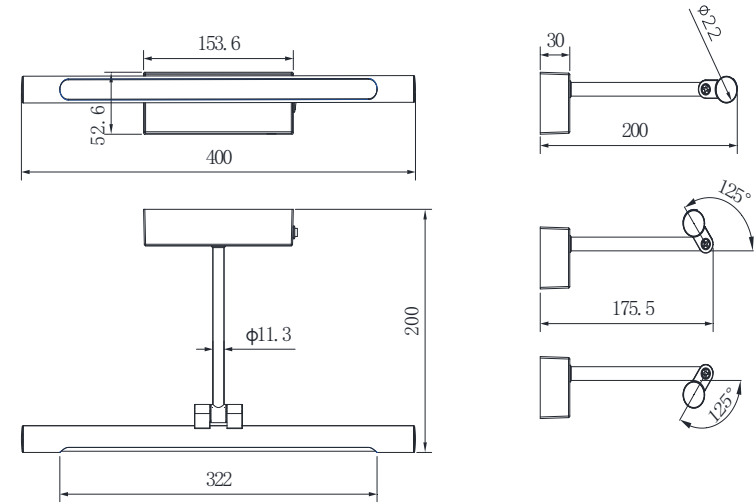


Product Information:



Product Specifications	
Dimensions (L x W x H mm)	400 x200 x 51mm
Material	Steel + Aluminum + PC+ ABS
Surface Color	Matt black/Matt white
Light Source	SMD 2835 LED, CRI≥80, SDCM<6
Rated Temperature	25°C - Indoors
Operating Temperature	-20°C to 45°C - Indoors
Protection Class	III
IP Class	IP20
Battery capacity	3.7V 4500mAh
Installation	Wall Mounted
Accessories	Remote controller, Mounting panel, 1.5m cable USB Type-C, Expansion Pipes(2pcs), Screws(2pcs)
Indicator	Charging: RED indicator Fully charged: GREEN indicator
Technical - Electrical Data	
	LE308-400
Rated Wattage(W)	4
Rated Luminous Flux(lm)	190
charging voltage	DC5V 1A
Charging time(h)	6
Discharge time(h)	9(brightest)
Led quantity(pcs)	50+50
Color Temp(k)	3000-4000-6500

Product Size:



Function:


This rocker switch is used to turn the battery on/off.

In ON mode, the light can be turned on/off.


In OFF mode, the light cannot be turned on.

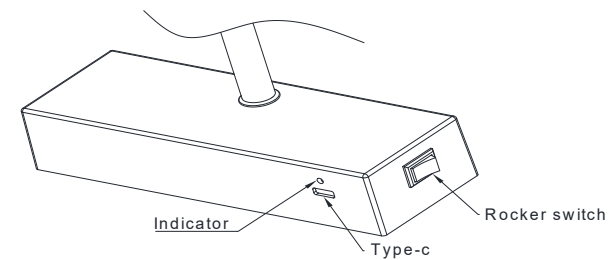
The light must be used in conjunction with the remote control

Match the remote control:

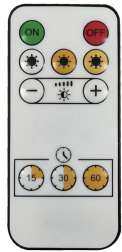
Turn the rocker switch on the light from "OFF" to "ON", press and hold the button  on the remote control for 5 seconds, after the light flashes twice, the matching is successful.

Cancel remote control:

Turn the rocker switch on the light from "OFF" to "ON", press and hold the button  on the remote control for 5 seconds, after the light flashes once, cancel the remote control.



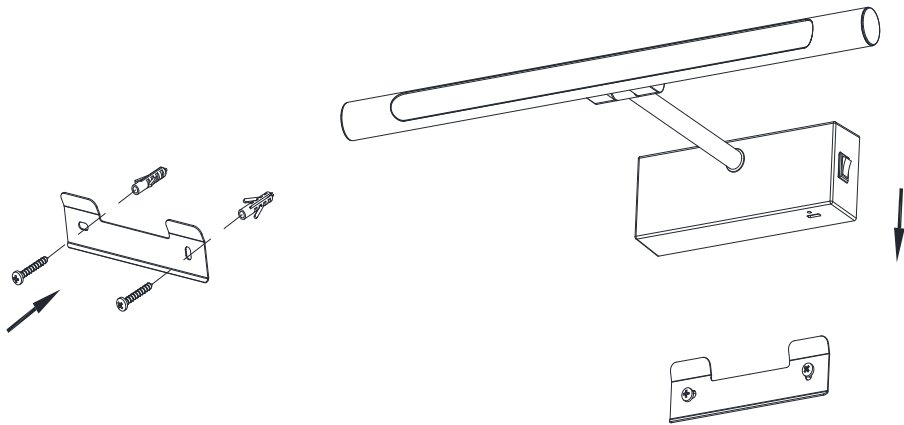
Remote control function:



: light ON/OFF;
: CCT 6500K/3000K/4000K;
: Dim+/-: 100%-10% or 10%-100%;
: Set to automatically shut down after 15 minutes/ 30 minutes/ 60 minutes.

Installation Information:

Wall Mounted



1. Drill two holes ($\Phi 6$) on the wall, and the distance between two holes is 90mm, put the expansion screws into the holes.
2. Fix the mounting panel with screws.
3. Fix lamp on the mounting panel.