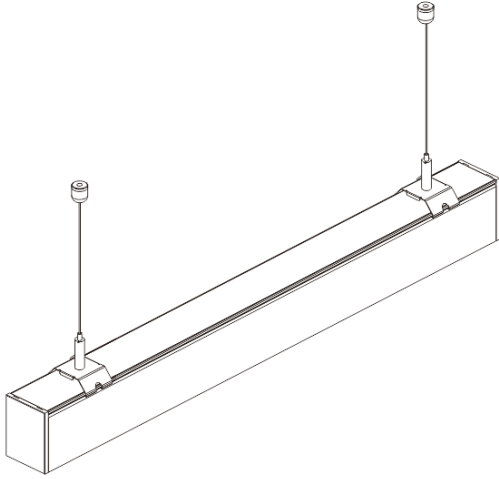


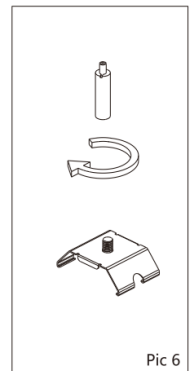
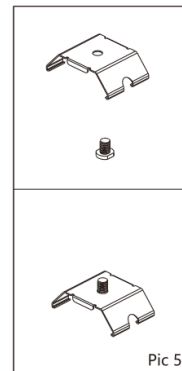
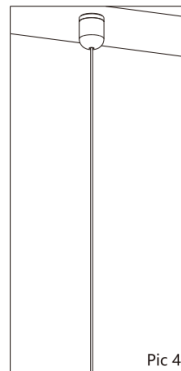
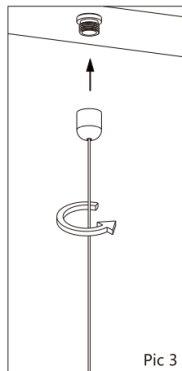
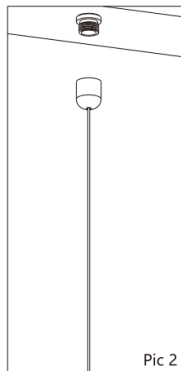
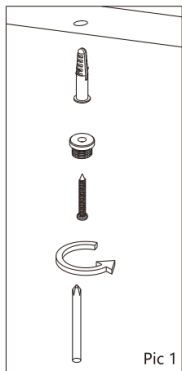
LED linear light (Suspension)

INSTALLATION INSTRUCTION

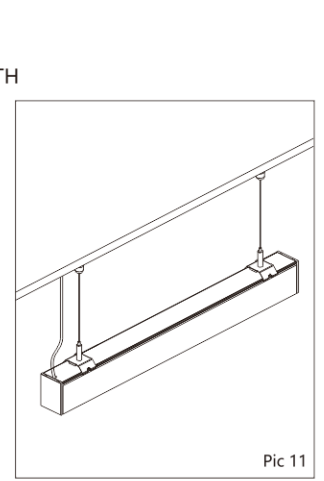
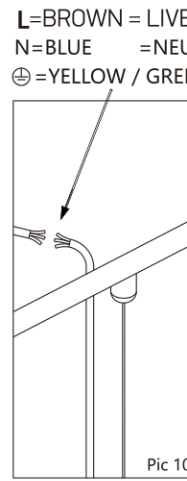
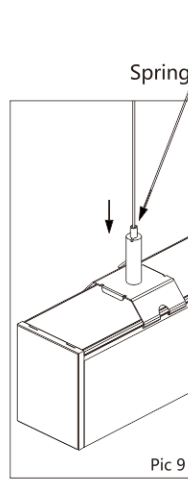
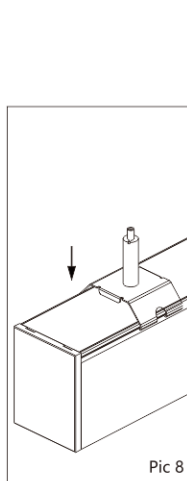
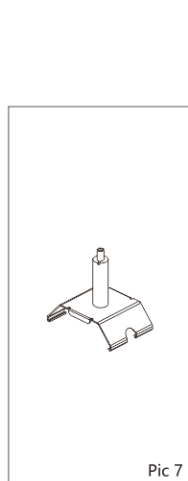


No.	Accessories	Picture	No.	Accessories	Picture
1	Plastic expansion pipe		5	Seizing wire	
2	Screw		6	Lock nut	
3	Cylindrical bolt		7	Lock bolt	
4	Cylindrical nut		8	Metal buckle	

Installation steps



1. Drill plastic expansion pipe into ceiling, put the phillipes screw through cylindrical bolt, then into expansion pipe, as diagrammatic diection
2. Put seizing wire (with small ends) through cylindrical nut
3. Scerw the cylindrical nut to the cylindrical bolt
4. Installed seizing wire
5. Put lock bolt through metal buckle, diagrammatic direction



L=BROWN = LIVE
 N=BLUE = NEUTRAL
 ⊕ =YELLOW / GREEN= EARTH

7. Installed metal buckle
8. Buckle into the slot of lamp
9. Connect the wire and buckle by pressing the spring button on the top of the lock nut, adjust wire length
10. Connect power cord
11. Suspended linear light