



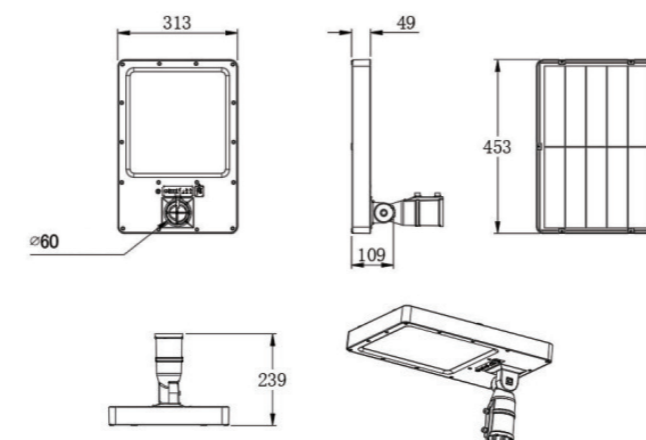
Instruction Manual



Product Model

Item	Parameter
	ZO-TG01-SS240W
Lumen(max)LM±10%	2800LM
CRI	RA ≥ 70/SDCM < 7
Lamp body Size(W*L*H)mm	313*453*109mm
Battery:	LiFePO4, 3.2V 24Ah
Solar panel power	25W/5V
LEDs	3000K+6500K SMD5730/210*2 PCS
Beam angle	120°
Solar Panel Size(W*L*H)mm	296*436*2.5mm
Installation height	3-6m
Working time	12-14H
Type-C charging	Max3A/5VDC
Lighting Control	Charge during the day (>10lux) & light off, discharge at night (<5-10lux) & light on
Charging Time	Normal illumination 4-6hours (>40000lux)
Number of Charging Cycles	>1200
IP rate	IP65
Temperature and Humidity	Temperature: charge above 5℃, discharge above -10℃ Working humidity: 95% RH

Product structure drawing



Remote Control Function



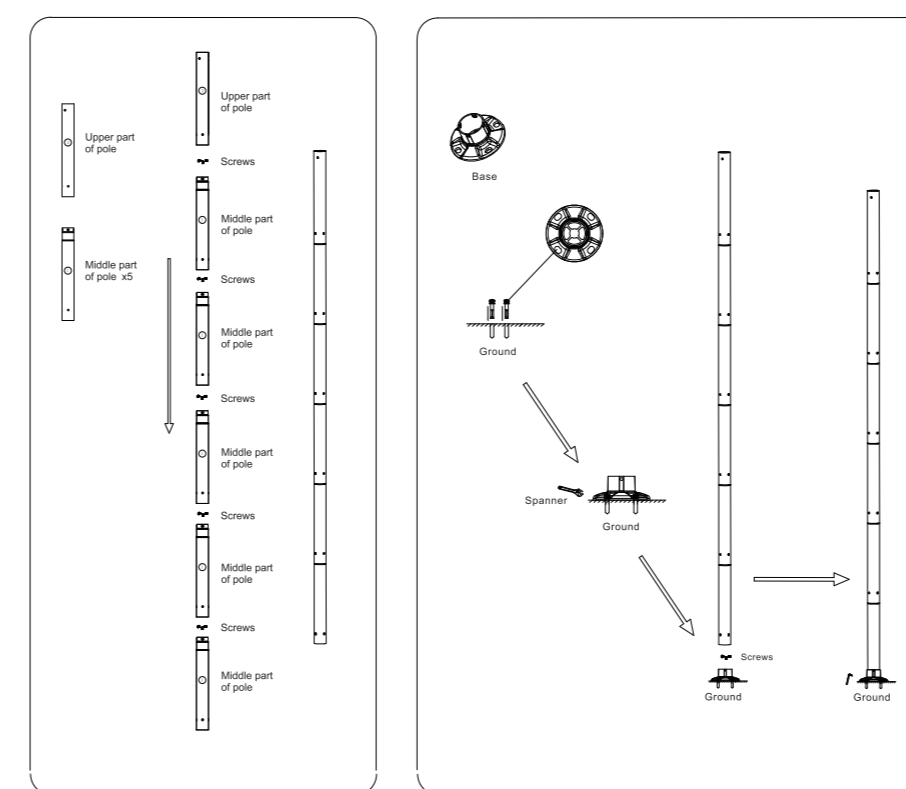
Key	Function	Validity	Detailed description	Indicator light status
【ON】	On	Single /with memory	100% brightness and slowly decrease brightness, about 6 hours to light off.	Green light long on
【OFF】	Off	Single/without memory	Light off.	The mode indicator light is off, and the battery power indicator light is ON
【3H】	Time control 3 hours	Single /with memory	150% brightness and slowly decrease brightness, about 3 hours to light off.	Red light long on
CW/WW	CCT switching	Every day /with memory	White light → Warm light → neutral light	Main light color switch
📶 / 🌞	Without sensor	Every day /with memory	Low light ,50% brightness , not slowly decrease , around 8 hrs off	Yellow indicator always on
【AUTO】	Time control	Every day /with memory	100% brightness and slowly decrease brightness, about 8 hours to light off.The lights turn off auto during the day and turn on auto at night.	Blue light long on

Instructions for use

- Lamp button functions: 1. Short press to turn on (indicator light on, main light off), long press for 2 seconds to turn off. 2. Press briefly within seconds to switch modes. If the light remains on for more than 2 seconds, press briefly to turn it off. Mode: 6H→3H→ Auto → Low light → Off light (cycle switching).
- After removing the lamp body, briefly press the lamp button to turn it on. The main light does not light up, but the power indicator light is on. Install the lamps according to the installation instructions.
 - Install the remote control battery properly and set the required working mode.
 - When using it for the first time, charge the lamp first. If the charging time is insufficient, it may affect the lighting time and brightness that night. When the lamp is fully charged next time, its operation will return to normal.
 - In autumn, winter, or during continuous overcast or rainy days, the charging effect will weaken and the lighting time may be shortened. This is a normal phenomenon.
 - When not in use for packaging and transportation, for the regular model, press and hold the control panel button for 2 seconds to turn it off for packaging. When in use, press and hold again for 2 seconds to turn it on.

Installation instructions

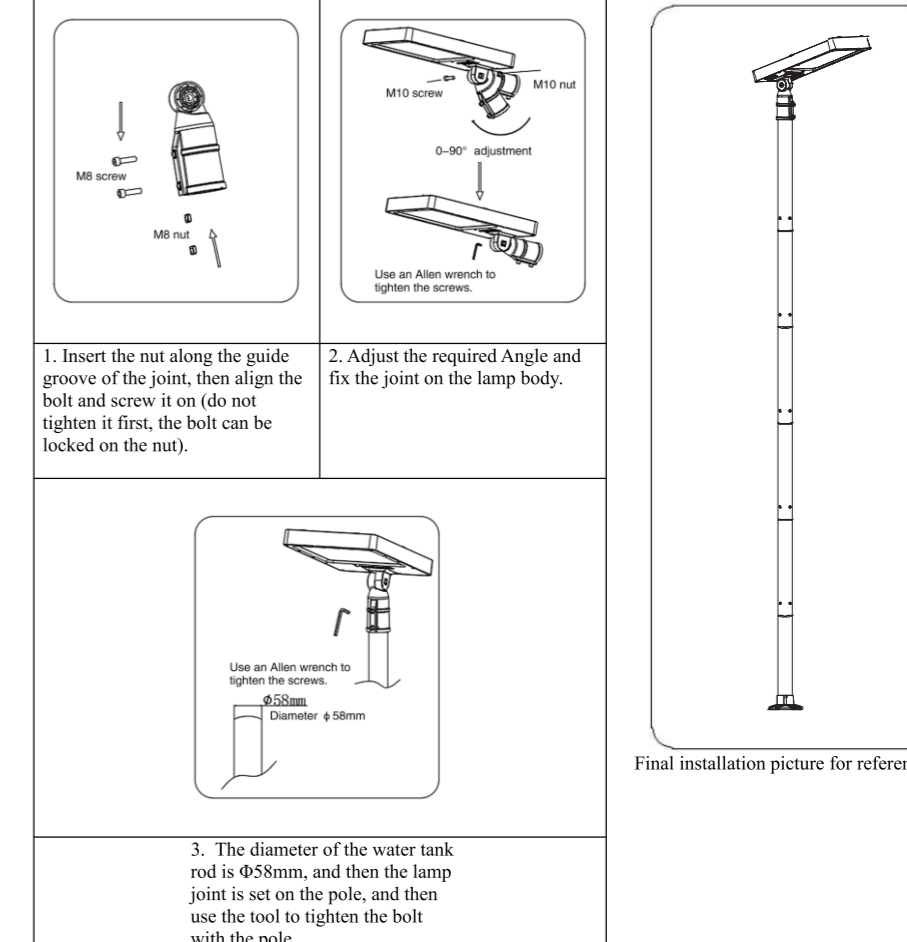
Installation of the Base



1. Assemble the pole in sequence according to the arrow direction, and fix each pair of pole with screws.

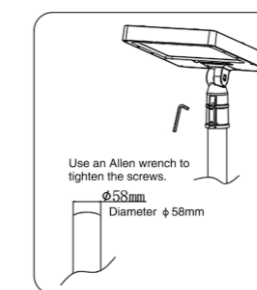
1. Position the base according to the hole positions on the ground, drill holes with an impact drill, and drive in the explosion screws.
2. Lock the base with a spanner.
3. Lock the assembled pole with a hexagonal spanner.

Installation of Tank



1. Insert the nut along the guide groove of the joint, then align the bolt and screw it on (do not tighten it first, the bolt can be locked on the nut).

2. Adjust the required Angle and fix the joint on the lamp body.



3. The diameter of the water tank rod is $\Phi 58\text{mm}$, and then the lamp joint is set on the pole, and then use the tool to tighten the bolt with the pole.

Final installation picture for reference

Important Notice

- ★ Please keep the installation tools away from children.
- ★ Please do not throw the lamp away because it contains batteries which is recyclable.
- ★ The product is strictly prohibited to be placed on fire because it contains batteries and it might cause explosion.
- ★ Please do not connect to 110/220V alternating current to avoid damage to the lamp.
- ★ Please install on a flat and stable surface, and fix the photovoltaic panel and the lamp body to prevent from hurting people by wind or other reasons .
- ★ In order to keep the lighting effects, please clean up the dust or debris on the surface of the photovoltaic panel every 3-4 months.
- ★ In autumn, winter, continuous cloudy or rainy days, the charging effect will be weakened and the lighting time will be shortened, which is normal.
- ★ Avoid installing lamps near air conditioners, heating objects, or high-voltage power grid systems.