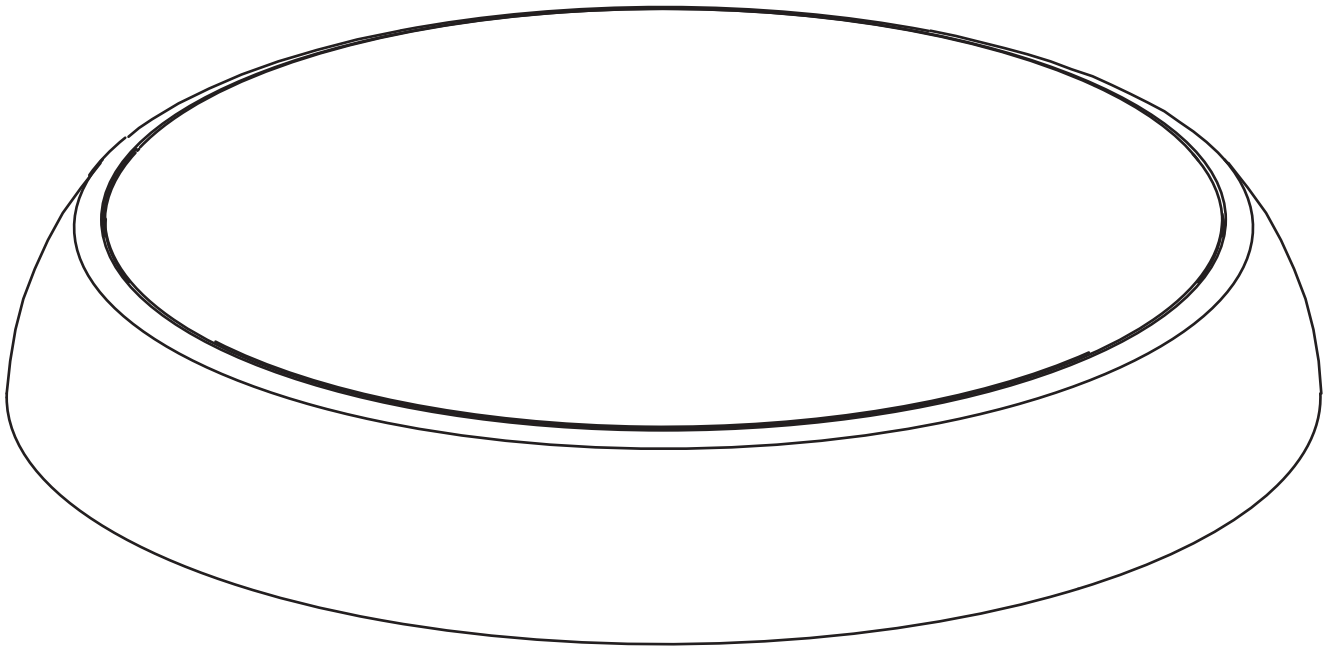
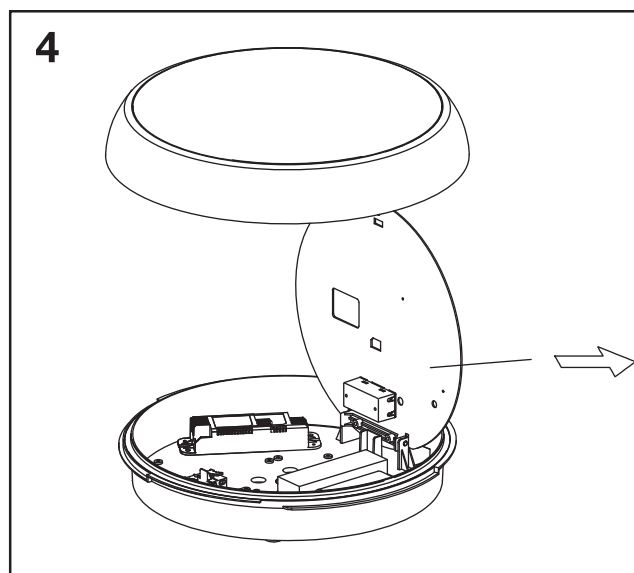
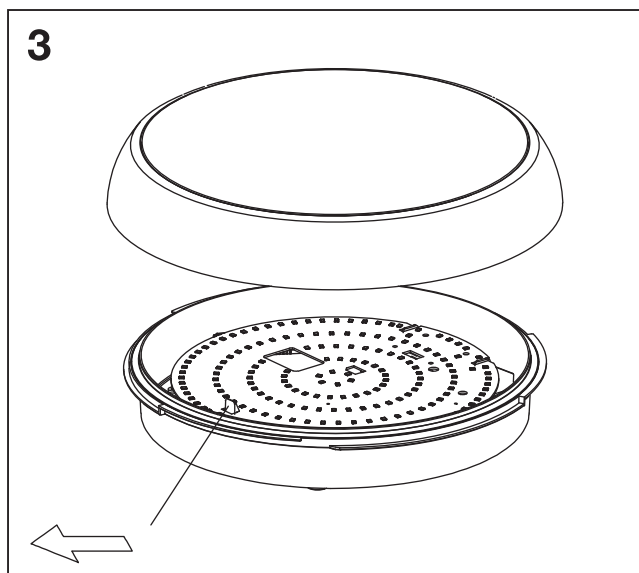
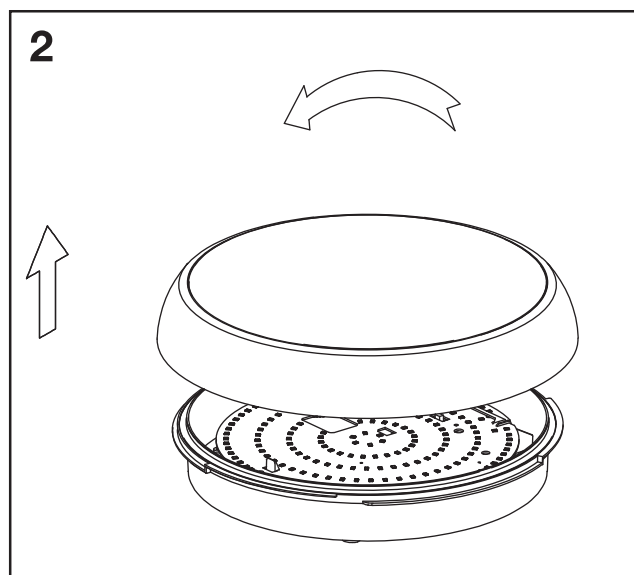
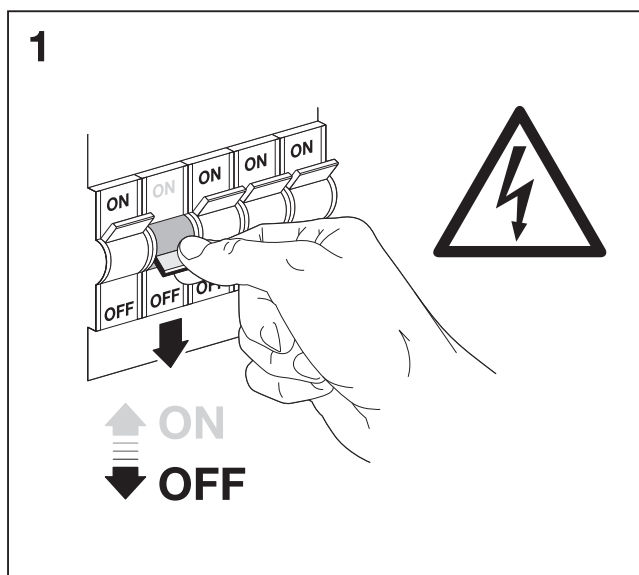
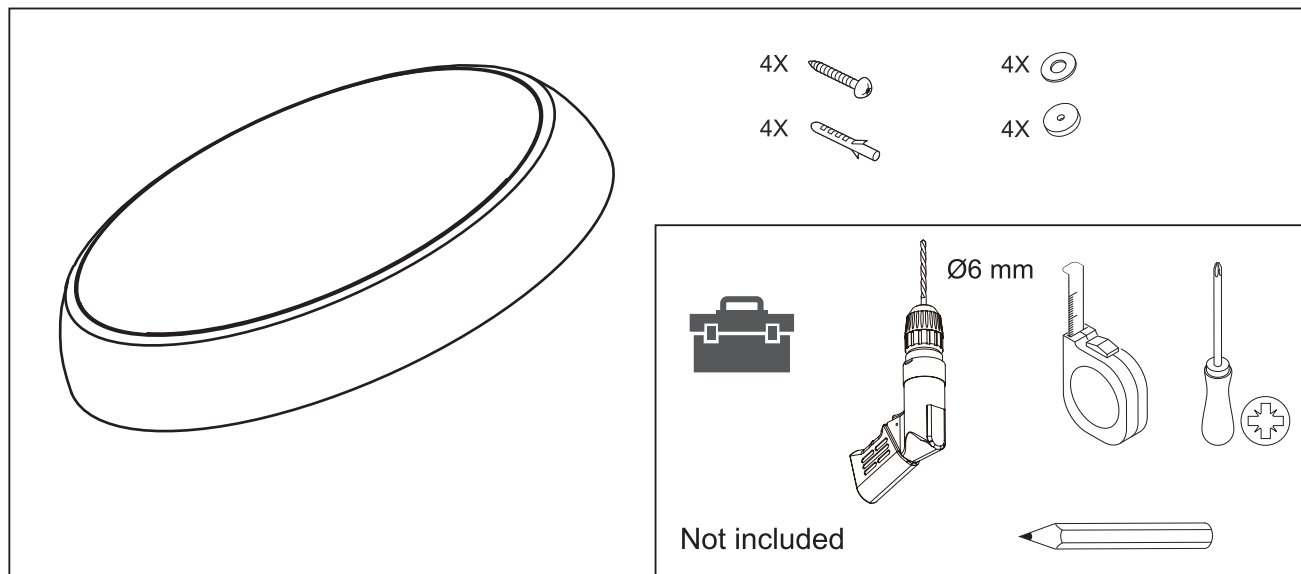


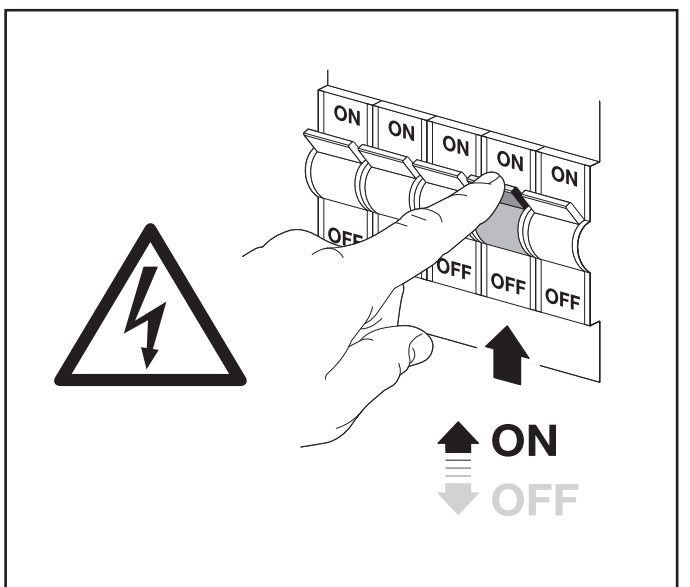
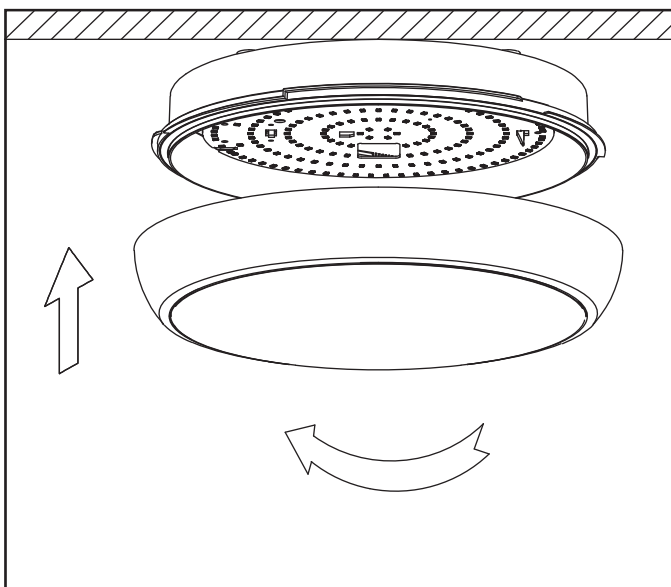
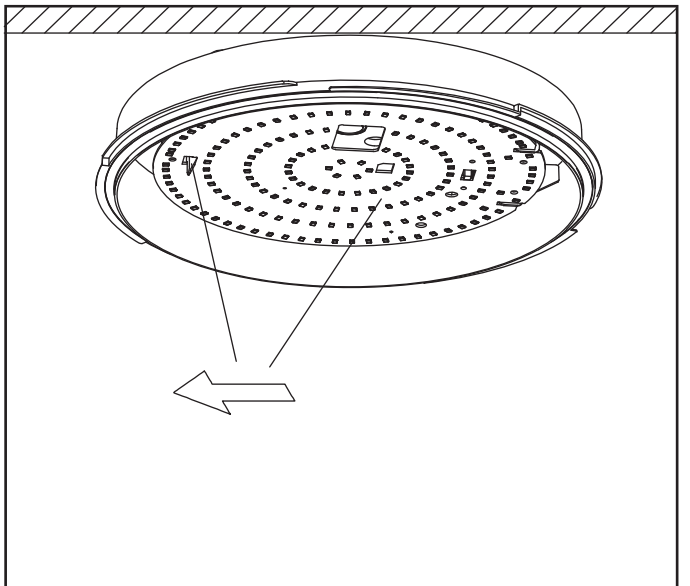
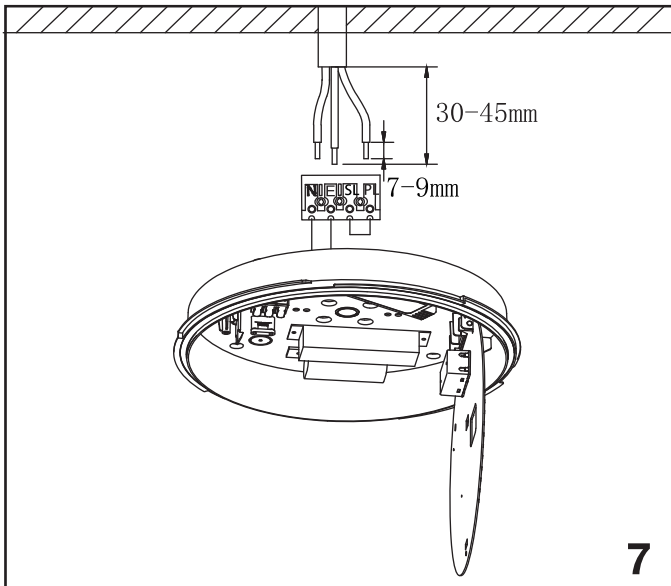
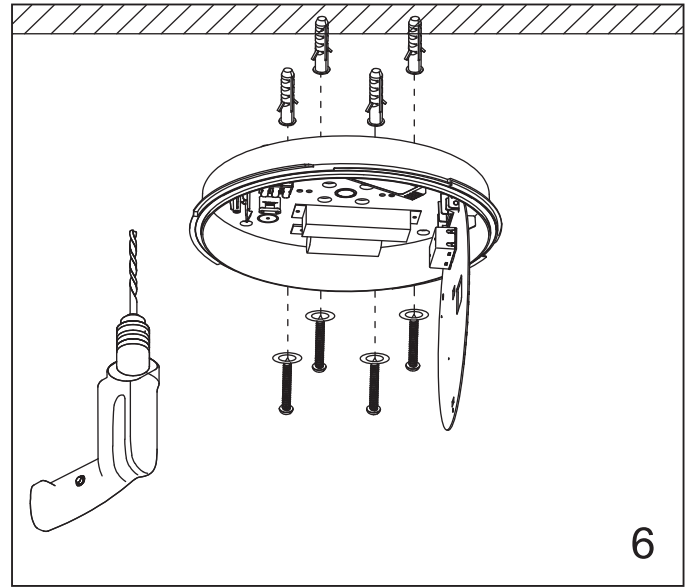
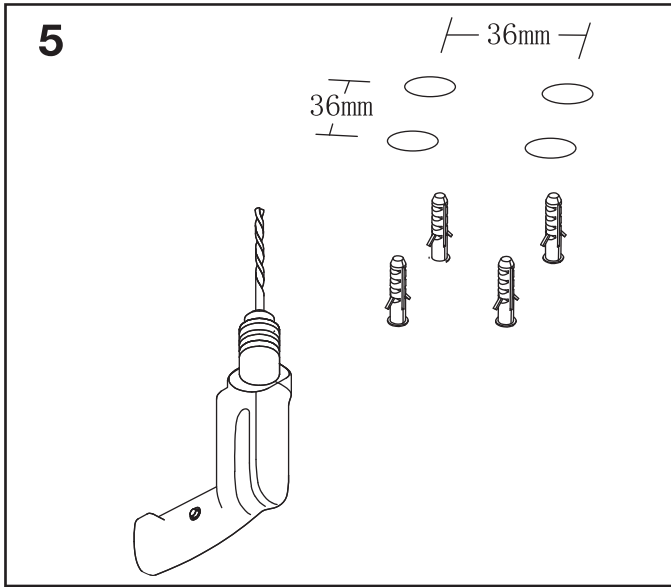
LED Ceiling Lamp



LED Ceiling Lamp



LED Ceiling Lamp



*1 TC (color temperature selection) series, you can adjust the shown switch to choose the color temperature.

Isolated & Constant-current LED Emergency converter

Applications:

Compliant 198-264Vac 50/60Hz input

Non-Maintained emergency operation

PF(λ)>0.5

Electronic charge system

Green lighting Indicator

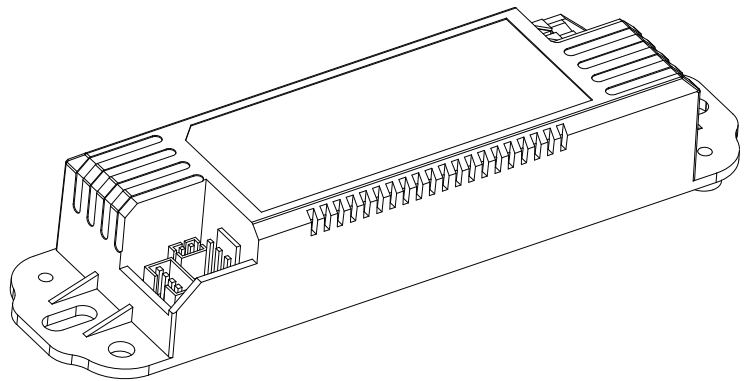
Constant current output

Deep discharge protection

Short-circuit-proof battery connection

Product protection class II

IP20 Protection level



Type&Specificdata

Type list	Charge current	Battery	Output parameter	Duration time
LYC2W180P2	Max.150mA	LiFePO4 3.2V 1.5Ah	4-8Vdc 1.2W	180 minutes

EnvironmentRequirements

Specification item	Value	Unit	Condition
Operating temperature	0...+50	°C	Matching Battery pack
Operating Relative Humidity	10...90	%	Non-condensing
Storage Temperature	-10...+70	°C	
Storage Relative Humidity	5...95	%	Non-condensing
Tcase-max	70	°C	Maximum temperature measured at Tc-point
Emergency Driver lifetime	50000	hours	At Tcase is ≤70°C
Battery lifetime	500	Cycle	Charge/discharge cycle

Safetystandards

Specification item	Value	Unit	Condition
Insulation Resistance	> 2	MΩ	Primary to secondary 500Vdc voltage
Product protection class	Class II		Built-in
Ingress Protection classification	IP20		
Approval marks	CE		
Safety standard	EN61347-1, EN61347-2-7		