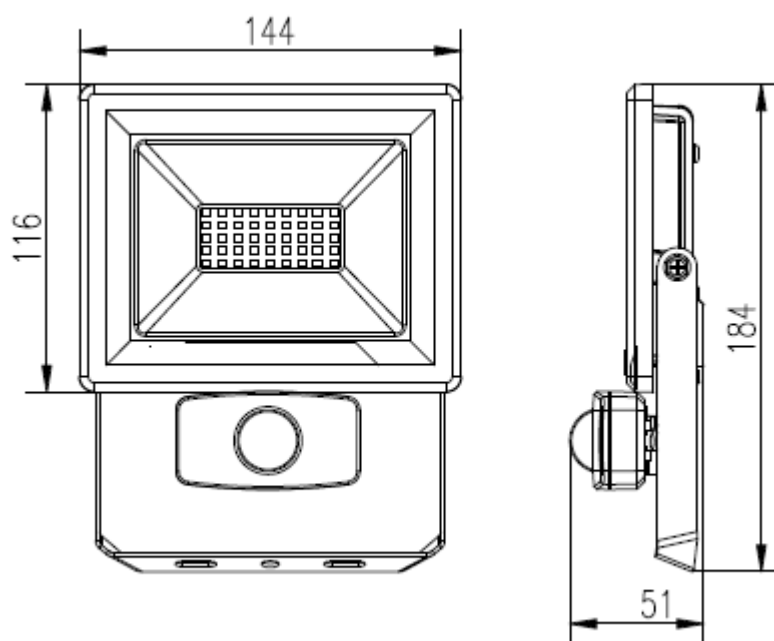
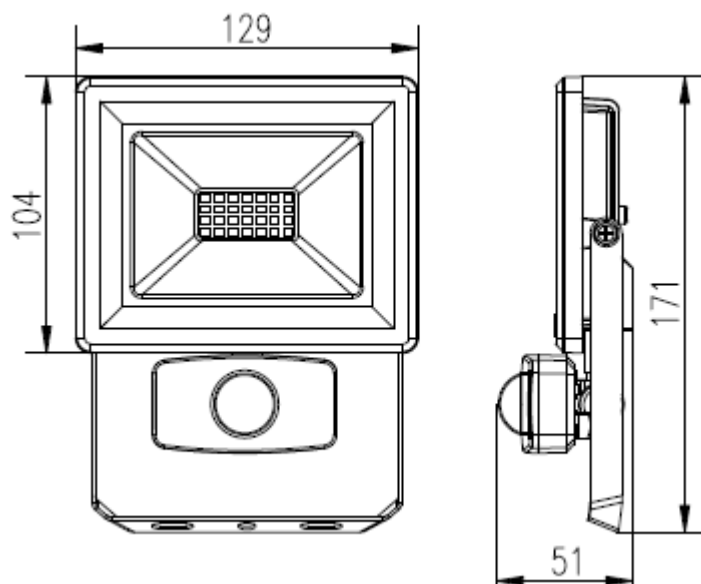


# INSTRUCTIONS FOR Floodlight



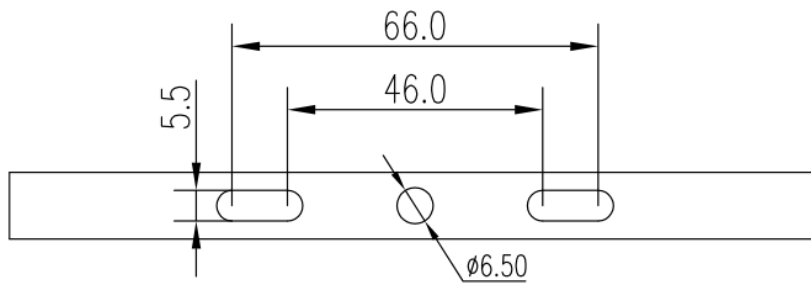
## Product information :

Model	Power	Lumen	CCT	IP rating	Power cord	Product size
B1461-S	20W	1600LM	4000K	IP54	H05RN-F 3G1.0mm <sup>2</sup>	129*51*171mm
B1462-S	30W	2400LM	4000K	IP54	H05RN-F 3G1.0mm <sup>2</sup>	144*51*184mm

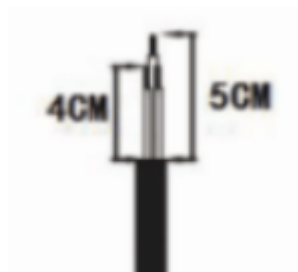
Technical specification :

Voltage:AC220V-240V~ 50/60Hz  
Work temperature: -20°C~40°C  
CCT: 4000K  
IP rating: IP54

## Fixing bracket onto the wall(10-30W):



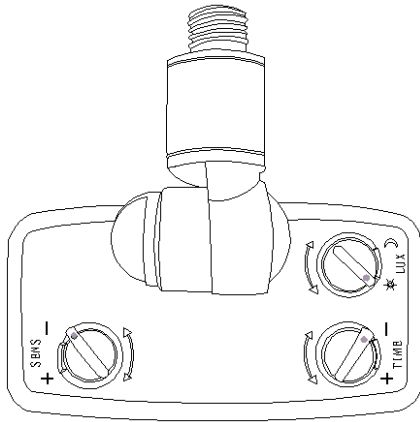
## Power cord:



**L(brown):4CM**  
**N(blue):4CM**  
**E(yellow/green):5CM**

## Sensor info:

1. Lux: 3Lux -2000Lux (adjustable)
2. Detecting Distance: 4m-10m (adjustable)
3. Delay time: 10±3sec -10±2min (adjustable)



## Cleaning

Before cleaning the LED floodlight, disconnect the power cable and allow the floodlight to cool down sufficiently. Clean with a dry or slightly moist, clean, lint-free cloth and a mild detergent if required. Do not use cleaners that contain abrasives or solvents.

## Maintenance

- Check the plug, power cable, and housing of the LED floodlight for damage before each use. If the lens is damaged it must be replaced immediately.
- Clean any dirt from the housing or the lens immediately, since it could cause overheating



### Correct Disposal of this product

This marking indicates that this product should not be disposed with other household wastes throughout the EU. To prevent possible harm to the environment or human health from uncontrolled waste disposal, recycle it responsibly to promote the sustainable reuse of material resources. To return your used device, please use the return and collection systems or contact the retailer where the product was purchased. They can take this product for environmental safe recycling.